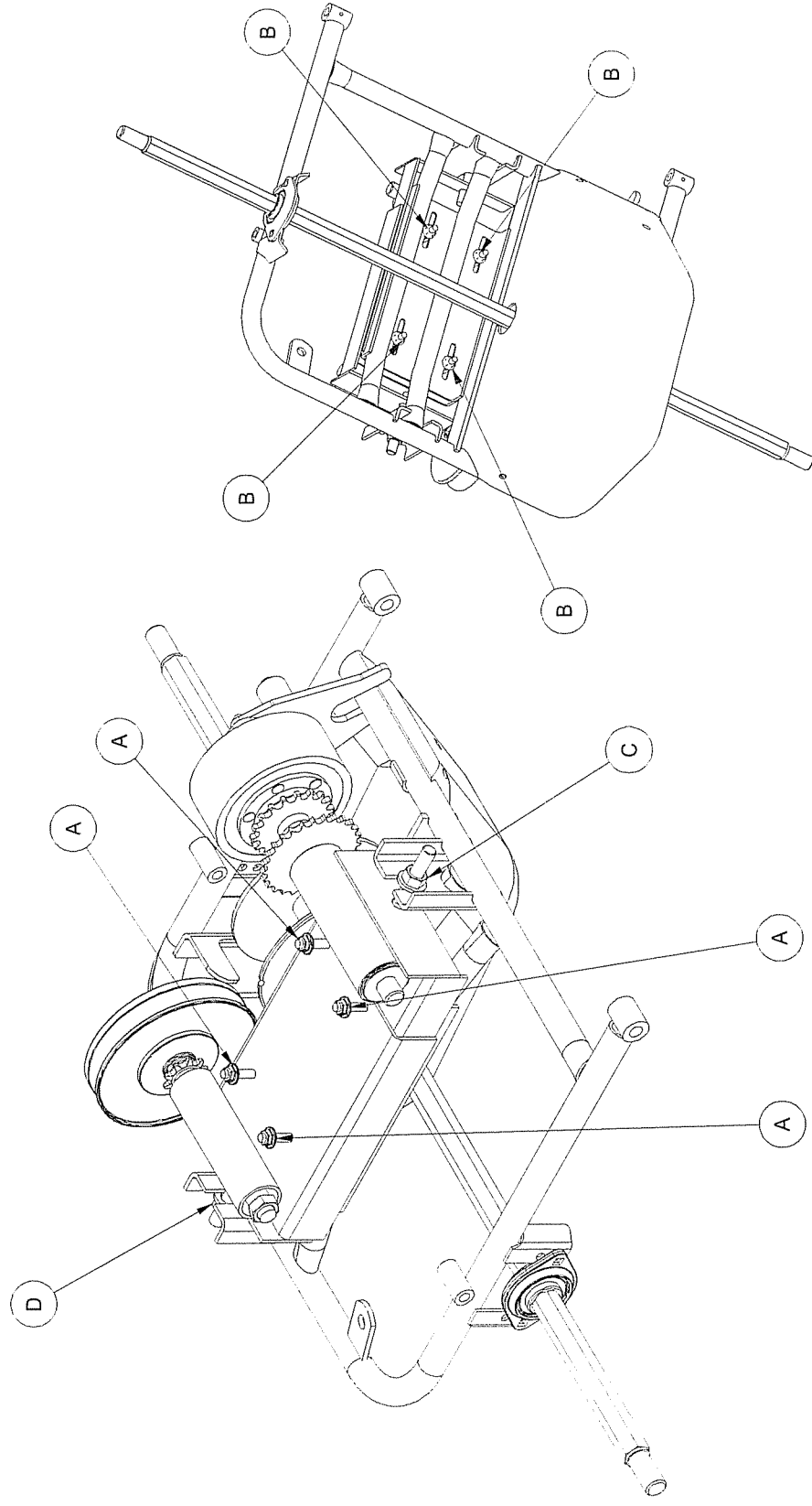
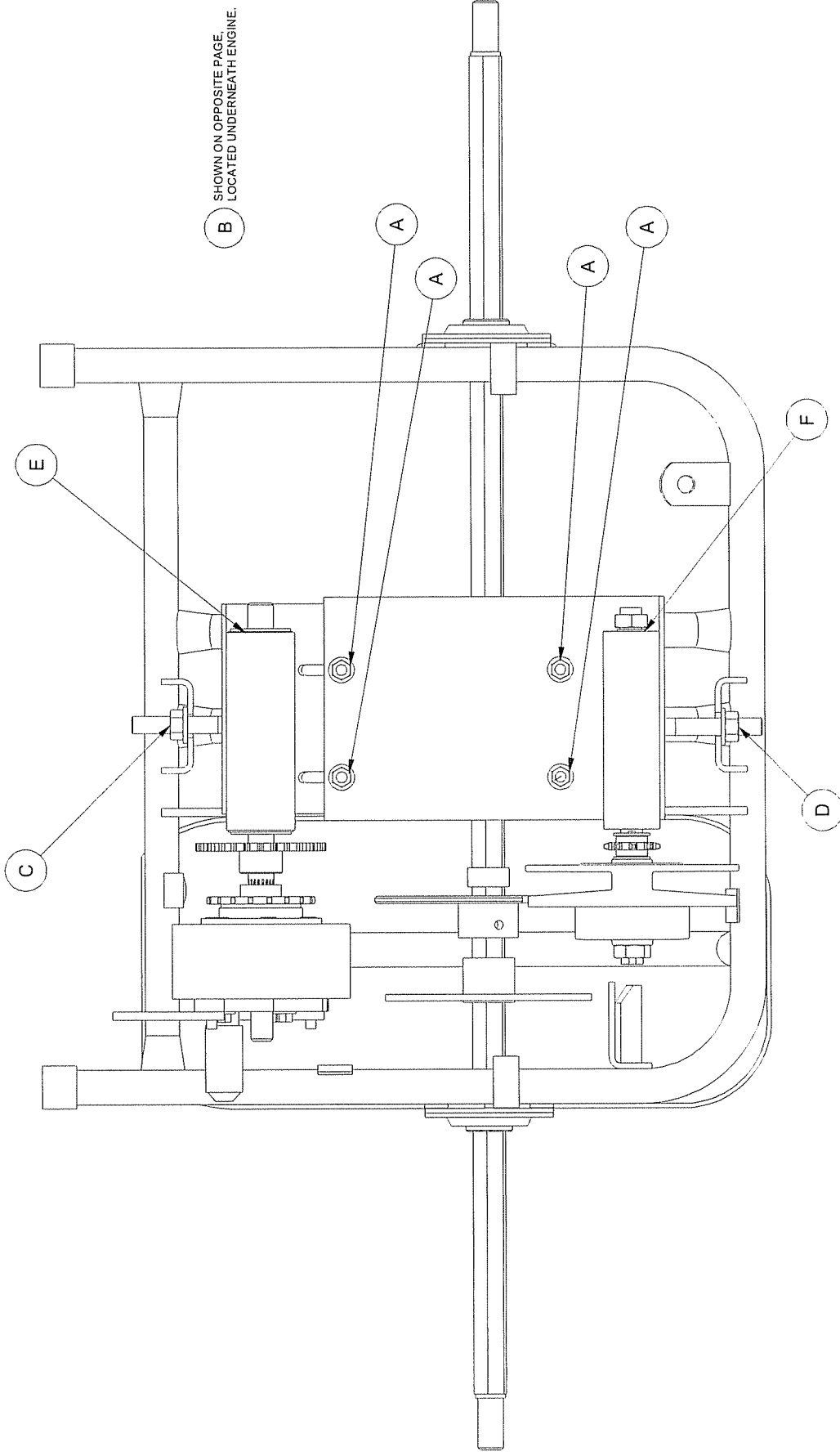


MANCO POWERSPORTS CHAIN TIGHTENING INSTRUCTIONS

6007R-01 & 6006R-09



- Completely loosen 4x PN1263 Nut on the top of the Engine. (A)
- Completely loosen 4x PN1263 Nut on the bottom of the Engine. (B)
- Loosen 2x PN13503 Nut at the front and rear of the Engine (C) & (D)



Push PN14002 Jackshaft Assembly (E) and PN14003 Jackshaft Assembly (F) Toward Each Other
Install PN13308 Replacement Chain & PN9514 Replacement Chain if necessary.
Tighten PN13503 Nut (C) until the chain connected to the axle has 1/4" of flex.
Tighten PN13503 Nut (D) until both chains have 1/4" of flex.
Tighten 4x PN1263 Nut (B) on bottom of Engine.
Tighten 4x PN1263 Nut (A) on top of Engine.