

Operator's Manual SUPPLEMENT

MANCO MODEL NO.

608-01

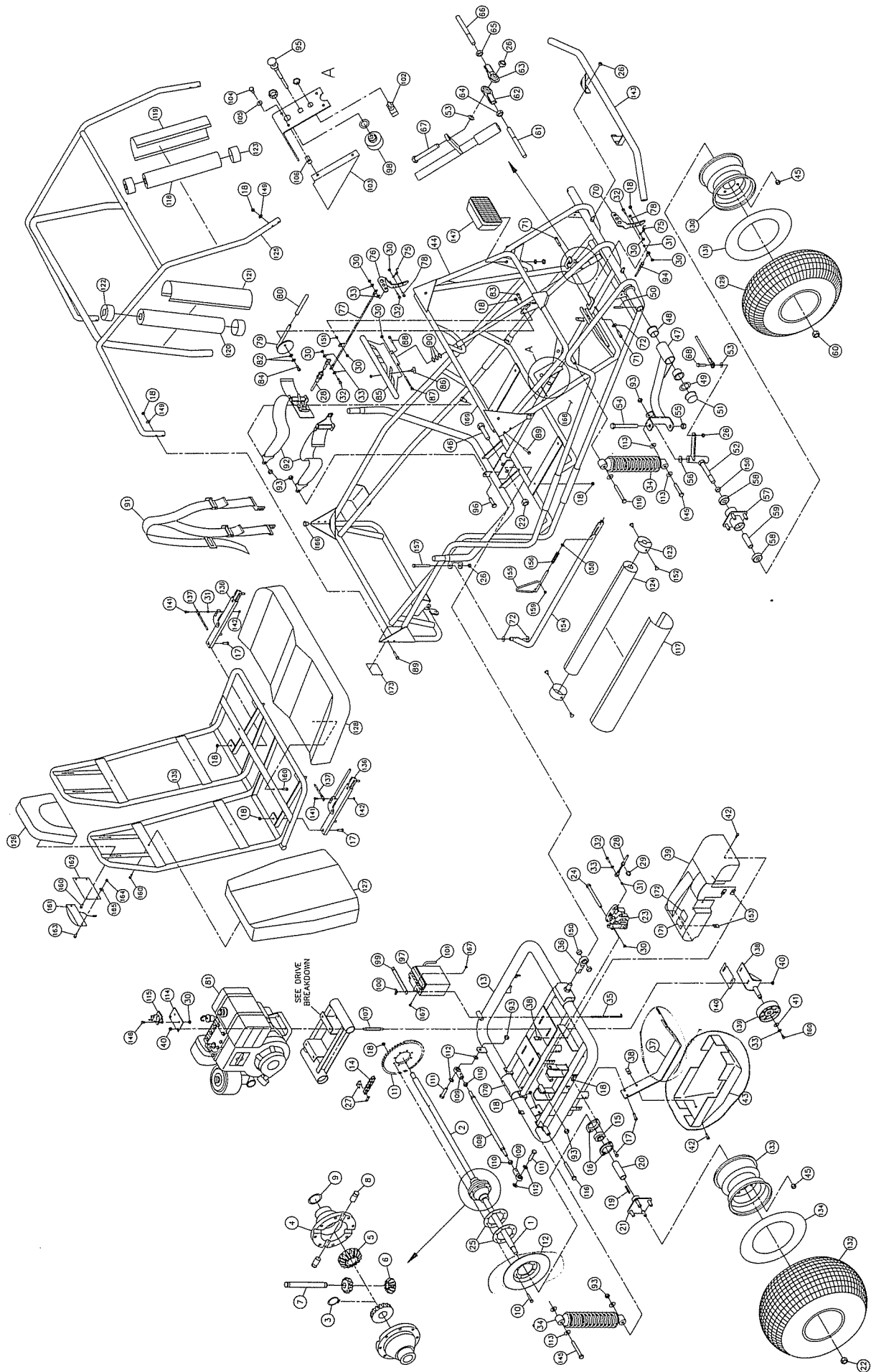
609-01

611-01



MANCO **PRODUCTS, INC.**

4404 Engle Ridge Drive Ft. Wayne, Indiana 46804 219-432-1596



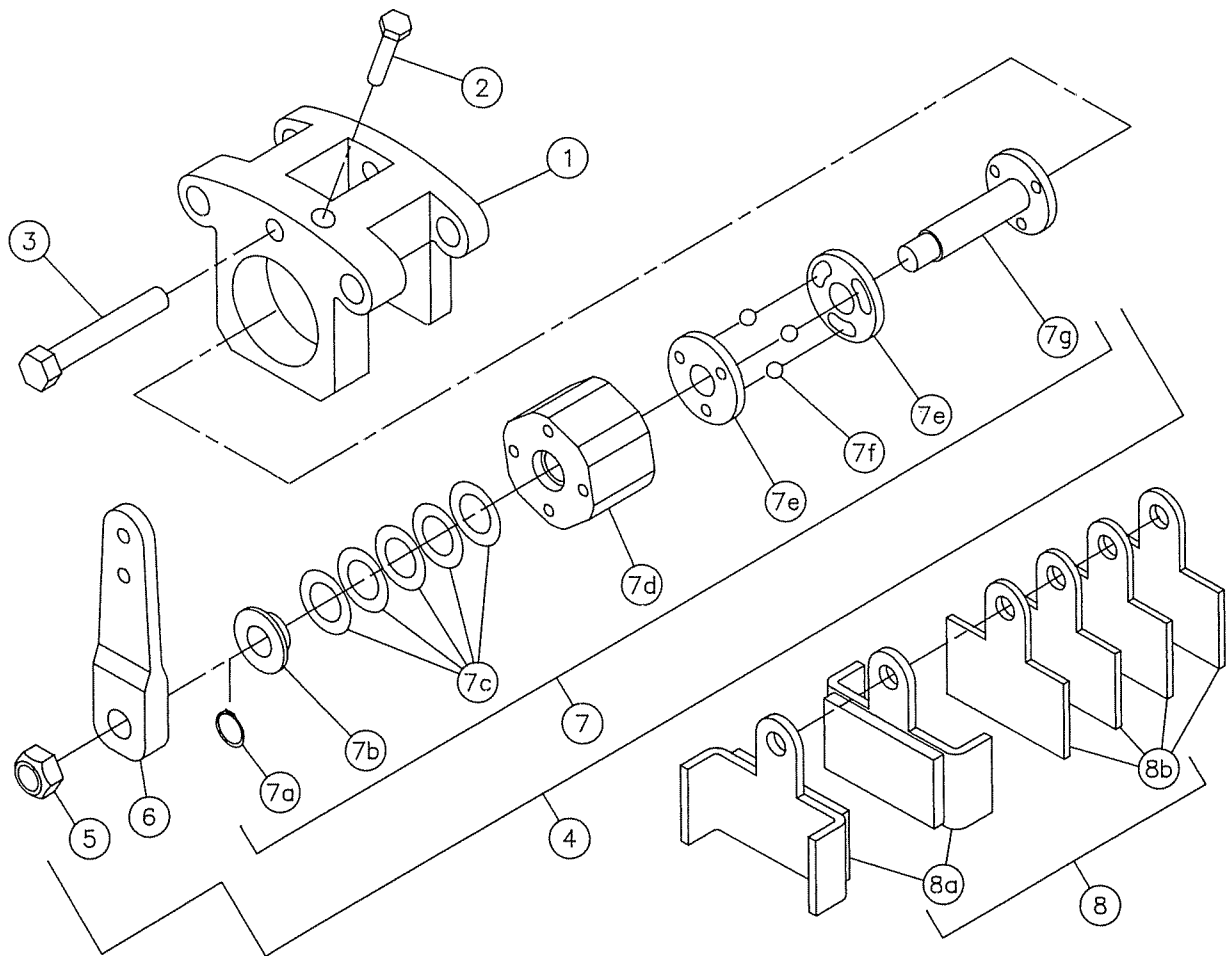
REPAIR PARTS

MODELS 608-01 609-01 611-01

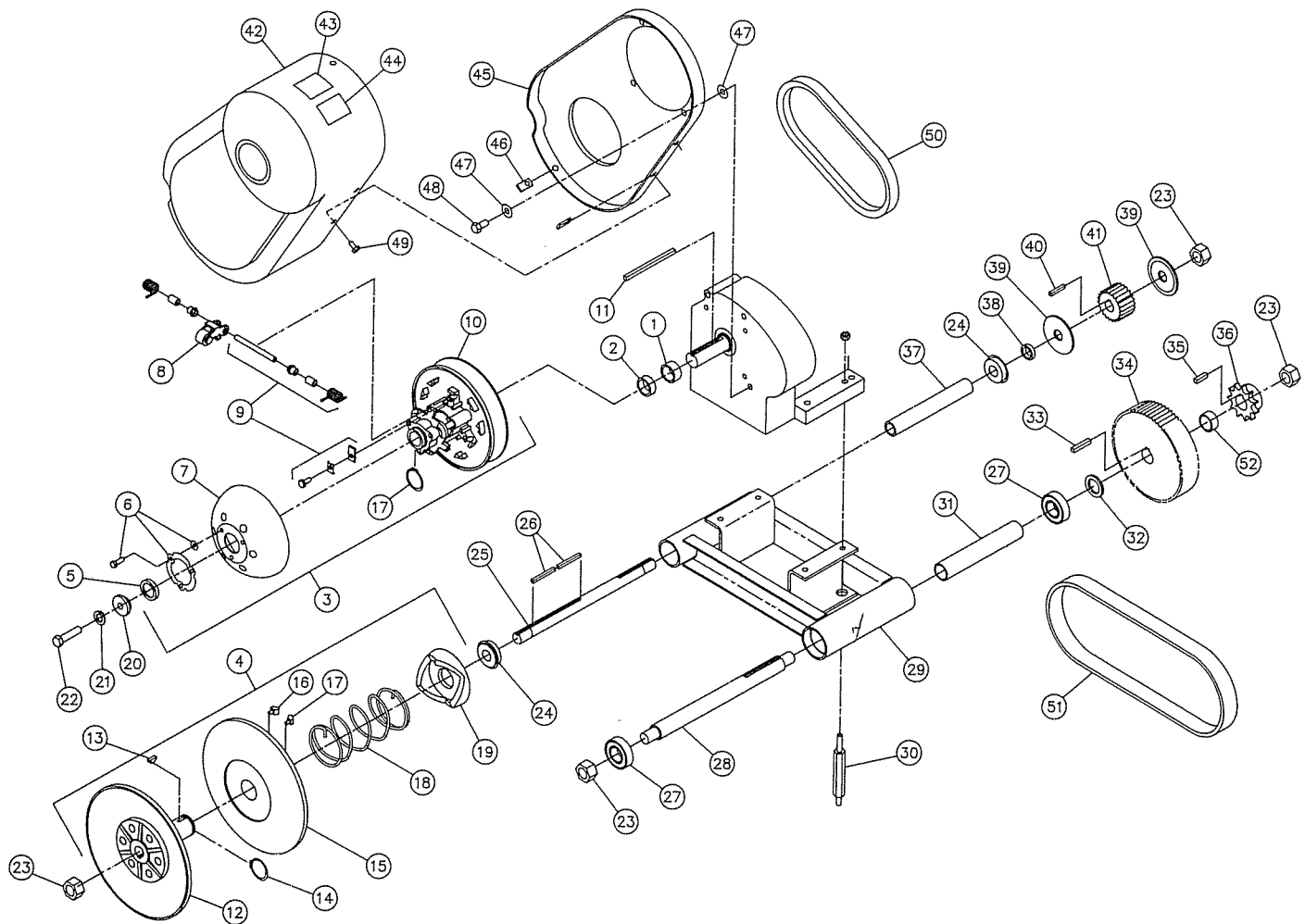
REF. NO.	PART NO.	DESCRIPTION	REF. NO.	PART NO.	DESCRIPTION
ASM	9469	REAR AXLE ASSEMBLY	75	6980	PEDAL SPRING
1		AXLE - 16.73 LONG	76	6293	BRAKE PEDAL
2		AXLE - 31.23 LONG	77	6741-2	BRAKE ROD WELDMENT
3		RETAINING RING	78	1846	1/4-20 x 3/4 HEX CAP SCREW GR5
4		HOUSING w/BRG.	79	6773-2	PARKING BRAKE HANDLE WELDMENT
5		BEVEL GEAR	80	6442	BRAKE HANDLE COVER
6		PINION GEAR	81	6832	11 HP ENGINE (611-01)
7		PINION SHAFT	NI	9392	9 HP ENGINE (609-01)
8		PINION SHAFT PLUG	NI	2790	8 HP ENGINE (608-01)
9		O-RING	82	6441	3/8 I.D. SPRING WASHER
10	2382	5/16-18 x 2.00 HEX CAP SCREW GR5	83	9173	5/16 x 5/8 SHOULDER BOLT
11	9439	SPROCKET - 43 TOOTH	84	9172	3/8 x 1/4 SHOULDER BOLT
12	6820	DISK - OFFSET	85	6663	STEERING WHEEL
13	9410-19	DRIVE CHASSIS WELDMENT	86	6842	TOGGLE SWITCH - LONG BARREL
14	9467	#50 O-RING CHAIN - 54 PITCH w/M.L.	87	9187	1/4-20 x 3-3/4 HEX CAP SCREW GR8
15	3941	BEARING PRECISION SEALED	88	9175	1/4-20 x 1-3/8 HEX CAP SCREW GR2
16	6617	BEARING FLANGE	89	9186	5/16-18 x 1-1/2 HEX CAP SCREW GR5
17	9176	5/16-18 x 1.00 HEX CAP SCREW GR5	90	6745	3/4 I.D. WAVE WASHER
18	1189	5/16-18 TOPLOCK HEX NUT	91	6750	SHOULDER HARNESS
19	6123	1/4 SQ. x 1-3/4 KEY	92	6749	SEAT BELT
20	6780	SPACER 1-1/4 O.D. x 3-7/8	93	1012	1/2-13 TOPLOCK HEX NUT
21	9417	WHEEL HUB ASSEMBLY W/STUDS	94	6748	THROTTLE CABLE (608-01, 611-01)
22	9052	3/4-16 TOPLOCK HEX NUT		9345	THROTTLE CABLE (609-01)
23	9448	BRAKE CALIPER ASSEMBLY	95	6313	CHOKE CABLE (611-01)
24	5682	1/2-13 x 5-1/2 HEX CAP SCREW GR5		9344	CHOKE CABLE (609-01)
25		DISK SPACER	96	9188	1/2-13 x 1-1/4 HEX CAP SCREW GR5
26	9085	3/8-16 TOPLOCK HEX NUT	97	3633	MOTORCYCLE BATTERY
27	9489	#50 O-RING MASTER LINK	98	6344	IGNITION SWITCH
28	6747	BRAKE CABLE	99	6302-2	BATTERY CLAMP BAR
29	9174	E-RING	100	9468	#10-32 NYLOCK WING NUT
30	9057	1/4-20 TOPLOCK HEX NUT	101	6520	BATTERY VENT TUBE
31	1389	BUSHING 1/4 I.D. x 5/16	102	6894	LIGHT SWITCH ASSEMBLY
32	1847	1/4-20 x 1.00 HEX CAP SCREW GR5	103	6803-19	COVER CONTROL PANEL
33	1854	#14 MS FLAT WASHER	104	6046	#10-24 x 1/2 HEX MACH. SCREW
34	6771	SHOCK BLACK/WHITE	105	6039	#10 INTERNAL LOCK WASHER
35	9430	BATTERY TIE DOWN ROD	106	5135	#10-24 TINNEMAN NUT
36	9449	3/4 ROD END	107	9437	ENG. SUPPORT ASM.(608-01, 611-01)
37	6707-19	SPROCKET GUARD		9436	ENG. SUPPORT ASM.(609-01)
38	6548	1/4-20 TINNEMAN NUT	108	6770-19	STABILIZER BAR WELDMENT
39	9451	CHAIN AND BRAKE COVER	109	6719	1/2 FEMALE ROD END
40	1263	5/16-18 HEX FLG. WHIZ NUT (608 & 611)	110	9169	1/2-20 HEX JAM NUT
	9192	3/8-16 HEX FLG. WHIZ NUT (609)	111	9170	1/2-13 x 2 HEX CAP SCREW GR5
41	9001	3/8 INT./EXT. LOCK WASHER	112	9177	1/2 SPLIT LOCK WASHER
42	1876	1/4-20 x 5/8 HEX FLANGED WHIZ	113	9022	1/2 FLAT WASHER
43	6849	LOWER SPROCKET GUARD	114	6304-2	SOLENOID BRACKET (611-01 ONLY)
44	6609-19	MAIN FRAME WELDMENT	115	2084	SOLENOID (611-01 ONLY)
45	1428	1/2-20 CONE WHEEL NUT	116	9178	1/2-13 x 4-1/4 HEX CAP SCREW GR5
46	9199	3/4-16 x 3.00 HEX CAP SCREW GR5	117	6874	CUSTOM COVER - DOOR
47	9412-19	TRAILING ARM WELDMENT - RT	118	6875	CUSTOM PAD - FRONT BAR
NI	9411-19	TRAILING ARM WELDMENT - LT	119	6876	CUSTOM COVER - FRONT BAR
48	9427	BUSHING - TRAILING ARM	120	6877	CUSTOM PAD - SIDE BAR
49	9198	#22 MACHINERY BUSHING	121	6879	CUSTOM COVER SIDE BAR
50	9455	1/4 x 2-1/4 SPRING PIN	122	6880	CUSTOM PAD ENDCAP - SIDE BAR
51	9454	END CAP	123	6383	CUSTOM PAD ENDCAP
52	6769-2	SPINDLE WELDMENT - RT	124	6524	CUSTOM PAD - DOOR
NI	6768-2	SPINDLE WELDMENT - LT	125	6766-19	CAGE WELDMENT
53	1130	3/8 SPLIT LOCK WASHER	126	6776	HEAD REST
54	1007	5/8-11 x 6 HEX CAP SCREW GR5	127	6777	SEAT BACK
55	1046	5/8-11 TOPLOCK HEX NUT	128	6778	SEAT BOTTOM
56	1650	5/8 FLAT WASHER	129	6806	TIRE 20 x 7-8 KNOBBY
57	6841	FRONT HUB ASM. w/STUDS	130	6807	WHEEL 7-8
58	6726	SEALED BEARING	131	6811	TUBE 20 x 7 - 8
59	6736	WHEEL SPANNER	132	6821	25 x 12-9 KNOBBY (611-01)
60	9162	3/4-10 TOPLOCK HEX NUT		1452	22 x 11-8 KNOBBY (608-01, 609-01)
61	6743	TIE ROD - 22-1/4 LONG	133	6825	WHEEL 12-9 (611-01) ⁶¹³
62	1414	ROD END - RH		1451	WHEEL 11-8 (608-01, 609-01)
63	1415	ROD END - LH	134	6846	TUBE 25 x 12-9 (611-01)
64	9092	3/8-24 HEX JAM NUT		1430	TUBE 22 x 11-8 (608-01, 609-01)
65	9024	3/8-24 L.H. HEX JAM NUT	135	6758	SEAT FRAME WELDMENT
66	1465	TIE ROD - 10-5/8 LONG	136	6722	SEAT SLIDE - PAIR
67	9158	3/8-16 x 2-1/4 HEX CAP SCREW GR5	137	6735-2	SEAT SLIDE LINK
68	9146	3/8-16 x 1-1/2 HEX CAP SCREW GR5	138	9418-19	IDLER BRACKET WELDMENT - <i>is 1024w</i>
69		NOT USED	139	9450	IDLER PULLEY
70	6309	THROTTLE PEDAL	140	9422	IDLER SHIM
71	1447	3/8 x 1-1/4 SHOULDER BOLT	141	5953	#10-32 x 3/4 HEX MACH. SCREW
72	9091	3/8 FLAT WASHER SAE N	142	9105	#10-32 TOPLOCK HEX NUT
73		NOT USED	143	6714-19	BUMPER WELDMENT
74		NOT USED	144		NOT USED

REPAIR PARTS
MODELS 608-01 609-01 611-01

REF. PART NO.	PART NO.	DESCRIPTION	REF. PART NO.	PART NO.	DESCRIPTION
145	9185	1/2-13 x 2-3/4 HEX CAP SCREW GR5	159	9191	1/4 PUSHNUT
NI	1463	INSULATING BUSHING	160	5839	1/4-20 x 3/4 HEX FLANGED WHIZ
146		NOT USED	161	6508	TAIL LIGHT ASSEMBLY
147	6800	HEADLIGHT ASSEMBLY	162	6305-2	TAIL LIGHT MOUNTING BRACKET
148	1844	1/4-20 x 1/2 HEX CAP SCREW GR5	163	2861	#10-32 x 1/2 FILL. HEAD MACH. SCREW
149	9060	5/16 FLAT WASHER	164	6193	#10 HEX ACORN NUT
150	1938	SPACER 3/4 I.D. x 3/8	165	6039	#10 INTERNAL LOCK WASHER
151	6742	SPACER 5/16 I.D. x 5/16	166	6969	PLASTIC PLUG
152	9311	PIN - ENDCAP	167	6521	BATTERY CABLE MOUNTING HARDWARE PACK
153	2449	1/4-20 TINNERMAN NUT	168	6916	PAN DECAL - SET
154	6932-19	DOOR WELDMENT - RIGHT	169	6884	DASH DECAL
NI	6733-19	DOOR WELDMENT - LEFT	170	2873	TRAILER DECAL
155	6810	LATCH WELDMENT - RIGHT	171	4912	CHAIN GUARD DECAL
NI	6845	LATCH WELDMENT - LEFT	172	1049	DRIVE COVER DECAL
156	6847	COMPRESSION SPRING	173	6951	TIRE PRESSURE DECAL
157	9190	3/8-16 x 3-1/4 HEX CAP SCREW GR5	NI	1019	TYWRAP
158	9183	.354 PUSHNUT			



REF. PART NO.	DESCRIPTION	REF. PART NO.	DESCRIPTION
1	CALIPER BODY	7c	BELLEVILLE SPRING
2	9460 MODULE SET SCREW	7d	MODULE BODY
3	9461 RETAINING SCREW	7e	CAM PLATE
4	9465 LEVER AND MODULE ASSEMBLY	7f	BALL
5	9462 LOCK NUT	7g	PISTON
6	9463 LEVER	8	9466 BRAKE PAD REPAIR KIT
7	BRAKE MODULE	8a	BRAKE PAD
7a	RETAINING RING	8b	SPACER
7b	RETAINER		



REF. PART NO.	DESCRIPTION	REF. PART NO.	DESCRIPTION
1	4914 SPACER 1.0 I.D. x 9/16 (608-01, 2 REQ'D; 609-01, 2 REQ'D; 611-01, 1 REQ'D)	26	3403 3/16 SQ. x 2 KEY
2	1082 SPACER 1.0 I.D. x 7/16 (611-01 ONLY, 1 REQ'D)	27	9398 BEARING 1.0 I.D. -SEALED
3	9456 DRIVING PULLEY ASSEMBLY	28	9445 SECONDARY JACKSHAFT
4	9457 DRIVEN PULLEY ASSEMBLY	29	9424-19 TAV CHASSIS WELDMENT - STD. (608-01 AND 611-01)
5	RETAINING WASHER		9423-19 TAV CHASSIS WELDMENT - 9HP (609-01)
6	RAMP PLATE MOUNTING KIT	30	9437 STUD ASSEMBLY - STD. (608-01 AND 611-01)
7	RAMP PLATE		9436 STUD ASSEMBLY - 9HP. (609-01)
8	ROLLER ARM	31	9432 SPANNER 1.0 I.D. x 6.75
9	SPRING KIT	32	PX2970 #9 MACH. BUSHING 1.0 I.D.
10	SHEAVE ASSEMBLY	33	1775 1/4 SQ. x 1-1/4 KEY
11	DRIVE KEY	34	9443 64 TOOTH TIMING PULLEY
12	FIXED FACE AND POST	35	3712 1/4 SQ. x 1 KEY
13	KEY	36	9440 SPROCKET #50 x 11 TOOTH
14	RETAINING RING	37	9431 SPANNER 3/4 I.D. x 6.875
15	MOVABLE FACE ASSEMBLY	38	1442 SPACER 3/4 I.D. x 1/4
16	241 31 74 30 BUTTON - L.H.	39	9442 PULLEY FLANGE
17	74 30 BUTTON - R.H.	40	9490 3/16 SQ. x 1-1/4 KEY
18	SPRING	41	9441 22 TOOTH TIMING PULLEY
19	CAM	42	9452 CLUTCH COVER
20	2468 PILOT WASHER	43	4912 CHAIN GUARD DECAL
21	2467 7/16 SPLIT LOCK WASHER (608-01 AND 609-01)	44	1049 DRIVE COVER DECAL
	1130 3/8 SPLIT LOCK WASHER (611-01 ONLY)	45	9453 INNER COVER
22	9196 7/16-20 x 4 HEX CAP SCREW GR5 (608-01 AND 609-01)	46	6548 TINNEMAN CLIP
	9197 3/8-24 x 4 HEX CAP SCREW GR5 (611-01 ONLY)	47	9091 3/8 FLAT WASHER
23	9195 3/4-16 TOPLOCK HEX JAM NUT	48	9154 3/8-16 x 3/4 HEX CAP SCREW GR5 w/NYLOCK
24	9399 BEARING 3/4 I.D. w/SNAP RING	49	9006 1/4-20 x 1/2 HEX FLANGED WHIZ
25	9444 PRIMARY JACKSHAFT	50	9458 DRIVE BELT - 300634C
		51	9438 TIMING BELT
		52	4914 SPACER 1.0 I.D. x 9/16