

ASSEMBLY INSTRUCTIONS

6150

150cc Fun Kart

Congratulations on the purchase of your 6150 fun kart! These instructions will guide you through the assembly process. Carefully read these instructions and familiarize yourself with the tools and fasteners required before starting the assembly of your fun kart.

Fasteners required for assembly

Please refer to the last page of instructions for a list of fasteners. Ensure that you have all the fasteners before starting the assembly of your fun kart.

Tools required for assembly

Please gather the required tools and familiarize yourself with them before starting the assembly of your fun kart. The tools will be mentioned in italic text for easy recognition.

<i>Hammer</i>	<i>Box Cutters</i>	<i>Phillips Screwdriver</i>
<i>Pry Bar</i>	<i>Safety Glasses</i>	<i>Socket Wrench</i>
<i>8mm Socket</i>	<i>10mm Socket</i>	<i>14mm Socket</i>
<i>10mm Wrench</i>	<i>12mm Wrench</i>	<i>13mm Wrench</i>



WARNING

Wear proper eye protection during the uncrating and assembly process to avoid potential eye injuries.



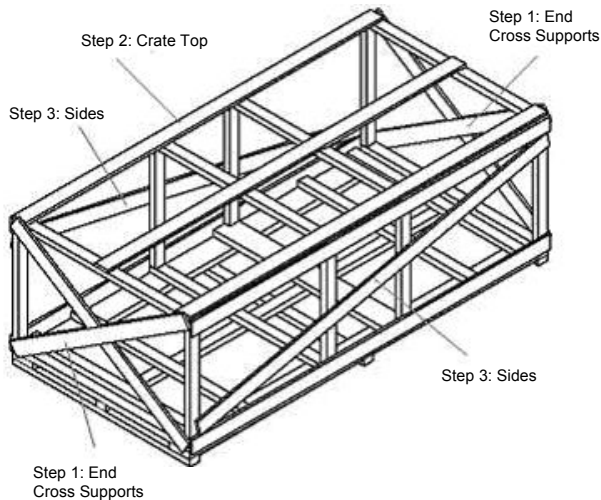
WARNING

RISK OF SERIOUS INJURY OR DEATH

The Brush Bars and the Seat and Shoulder Belt are critical parts of the Operator / Passenger safety system on this kart. Do not attempt to operate the kart until these components have been properly installed.

1- Uncrating the fun kart

- Wear your *Safety Glasses* to prevent eye injury.
- Using the *Hammer* and *Pry Bar*, remove cross supports at each end of the crate and discard.
- Carefully pry and remove crate top and discard.
- Remove crate sides and discard.
- Using *Box Cutters*, cut and remove the hold down ties.
- Remove the kart from the crate base and discard base.



2- Unpacking the components

- Unpack all of the loose components from the unit and set aside.
- Remove protective plastic each component and discard.



WARNING

Wear eye protection and prevent the battery acid from coming into contact with skin, eyes, and clothing. Contact with skin or eyes will result in severe burns and contact with clothing may decompose the material. If skin or eye contact is made, flush immediately with water and contact a doctor.

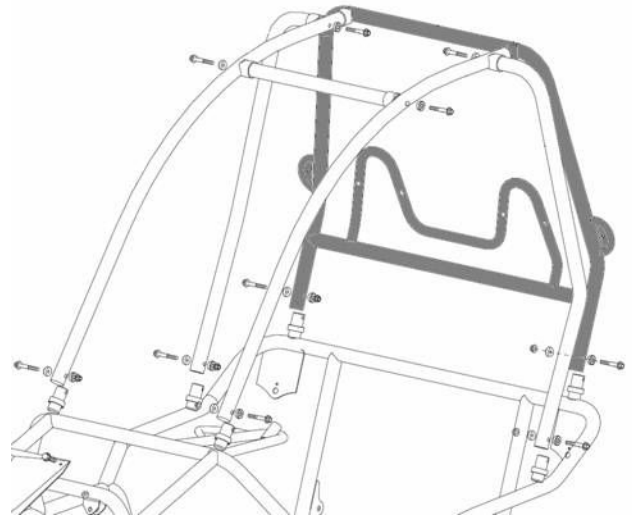
3- Battery Installation

The battery for this unit has been fully charged by the manufacturer prior to shipment. However, additional charging by the end user may be required if the unit was stored in inventory for any length of time. Charge the battery using a 2-amp / 12-volt trickle charger until the battery has reached its full charge.

- Wear your *Safety Glasses* to protect against eye injury.
- Remove the rubber battery hold down and top cover to expose the battery terminals.
- Using a *Phillips Screwdriver*, install the GREEN wire to the (-) battery terminal. Ensure terminal is securely tightened.
- Using a *Phillips Screwdriver*, install the RED wire to the (+) battery terminal. Ensure terminal is securely tightened.
- Cover the terminal with the protective cap included on the wire.
- Install the battery cap and rubber hold down strap to secure the battery in the tray.

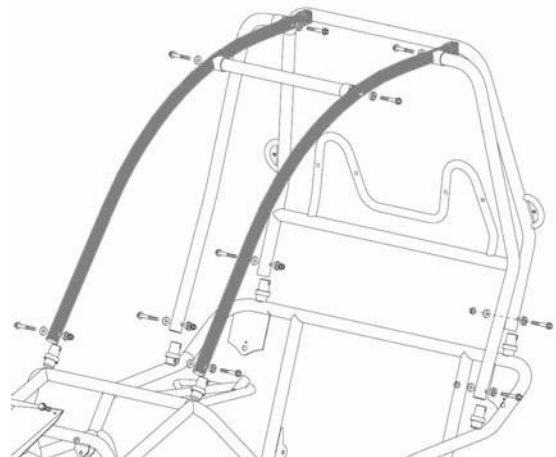
4- Rear C-Pillar Installation

- Locate the Rear C-Pillar & headrest assembly and fasteners: (2) 14086, (4) 14087, and (2) 14088.
- Set the assembly (shaded) in place and install the fasteners with a *12mm Wrench* and *10mm Socket Wrench*. DO NOT tighten any fasteners at this time.



5- Overhead Front Bar Installation

- Locate the Overhead Front Bars and fasteners: (4) 14086, (6) 14087, and (2) 14088
- Set the bars (shaded) in place and install the fasteners with a *12mm Wrench* and *10mm Socket Wrench*. DO NOT tighten any fasteners at this time.



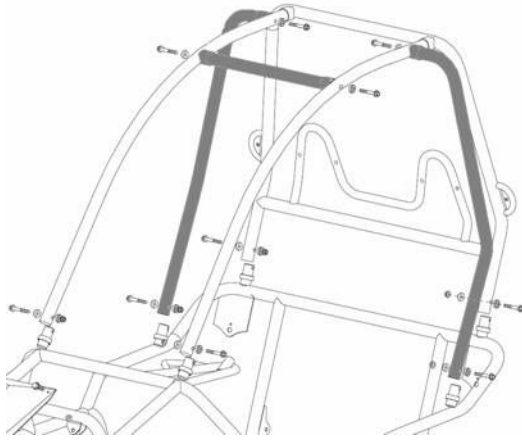
ASSEMBLY INSTRUCTIONS

6150

150cc Fun Kart

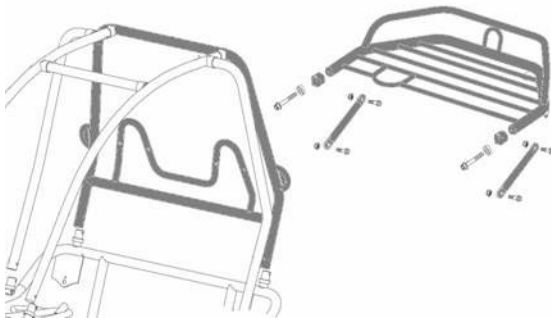
6- B-Pillar and Overhead Cross Bar Installation

- Locate the B-Pillar and Overhead Cross Bars and fasteners: (6) 14086, (8) 14087, and (2) 14088
- Set the bars (shaded) in place and install the fasteners with a *12mm Wrench* and *10mm Socket Wrench*. DO NOT tighten any fasteners at this time.



7- Rear Cargo Rack Installation

- Locate the Rear Cargo Rack, support arms and fasteners: (2) 14086, (2) 14087, and (4) 14088
- Using a *12mm Wrench* and *10mm Socket Wrench*, install the rack (shaded) against the Rear C-Pillar with 14086.
- Install the rack supports.
- Verify that all the bars are now fitting together correctly



8- Tighten Fasteners

- Use a *12mm Wrench* and *10mm Socket Wrench* to tighten down all the fasteners, starting with step 4- (12 total bolts).

9- Front Fender Installation

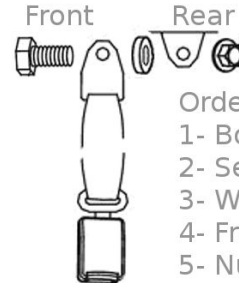
- Locate fasteners 14235 and 14236.
- Attach fender to mounting bracket by inserting the fender's mounting post into the vehicle's mounting bracket.
- Using an *8mm Socket Wrench* and a *10mm Wrench*, secure fender with specified fasteners.

10- Safety Flag Installation

- The flag fasteners have been pre-installed onto the right rear corner of the rear rack.
- Simply loosen the plastic nut from the top side of the rack and slip the flag into place.
- Finger-tighten the plastic nut to retain the flag.

11- Seat Belt (Shoulder Connection) Installation

- Locate 2 each of fasteners 14587, 14243, 14240.
- Remove the plastic cover from the seat belt bracket and stack the hardware as shown in the figure below.
- Install the bolt, washer, and nut and tighten using a *13mm Wrench* and *14mm Wrench*.

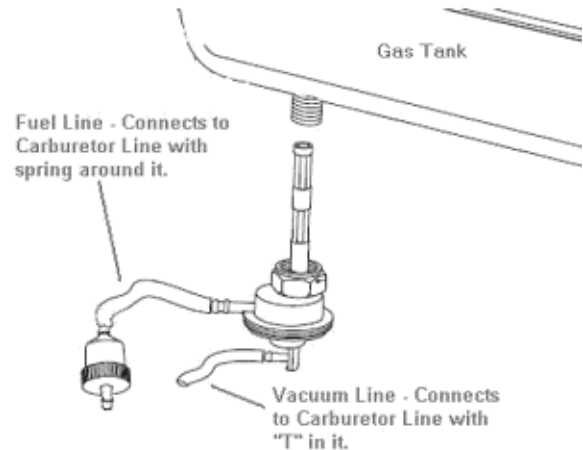


Order of Installation:

- 1- Bolt
- 2- Seatbelt
- 3- Washer
- 4- Frame
- 5- Nut

12- Final Connections

- Under the fuel tank, locate the Vacuum and Fuel lines as indicated in the figure below
- Connect the vacuum line from the fuel tank to the "T" connection from the carburetor. Ensure that the spring clamp is securely in place.
- Connect the fuel line from the tank (line with the filter) to the carburetor fuel line (line with protective spring covering). Ensure that the spring clip is securely in place.



13- Final Preparation

- Fill the fuel tank with clean, fresh mid grade gasoline
- Check the engine oil level per the supplied Owner/Operator manual
- Refer to the supplied Owner/Operator manual prior to operating your new Fun Kart

ASSEMBLY INSTRUCTIONS

6150

150cc Fun Kart

