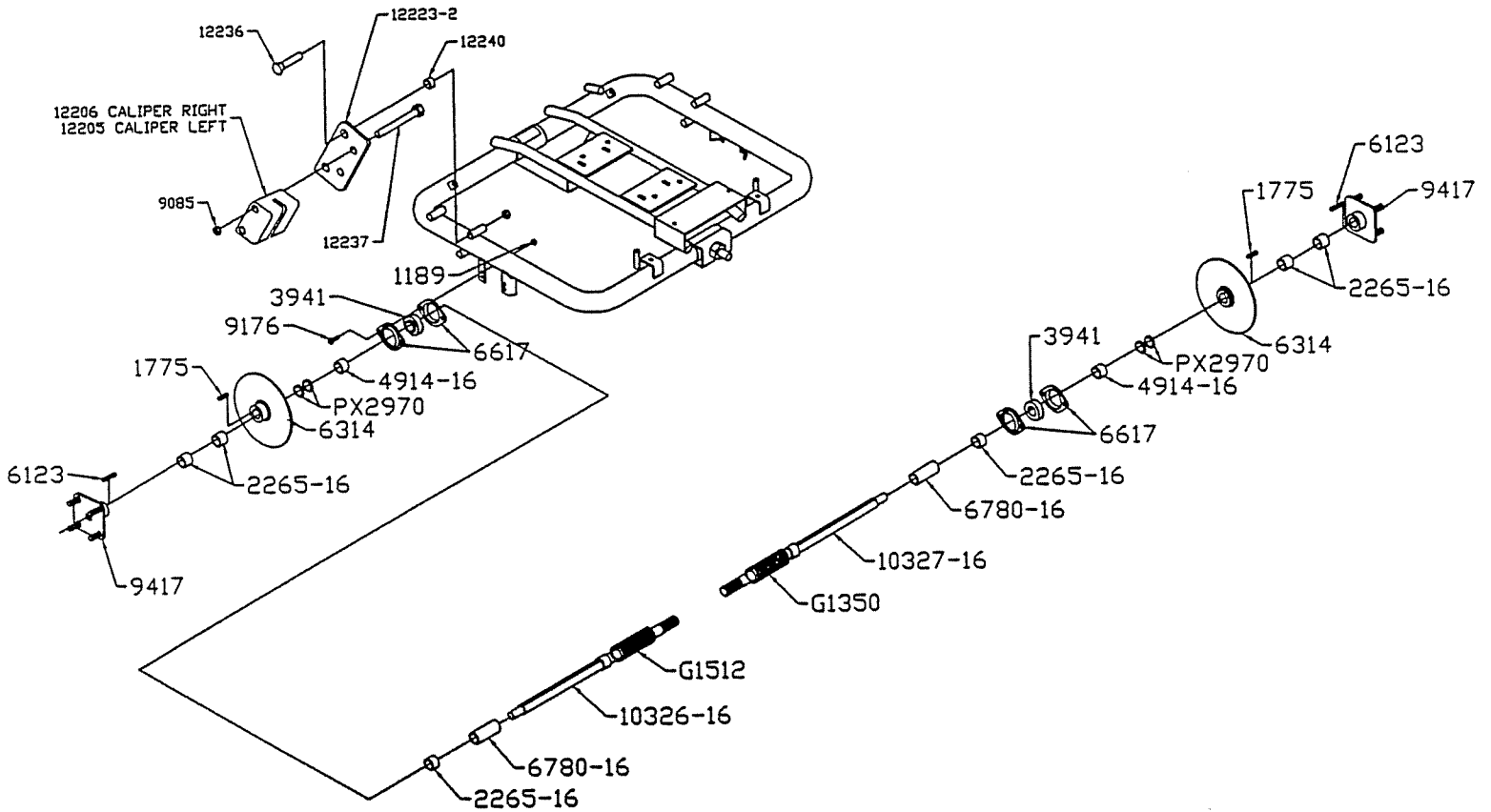
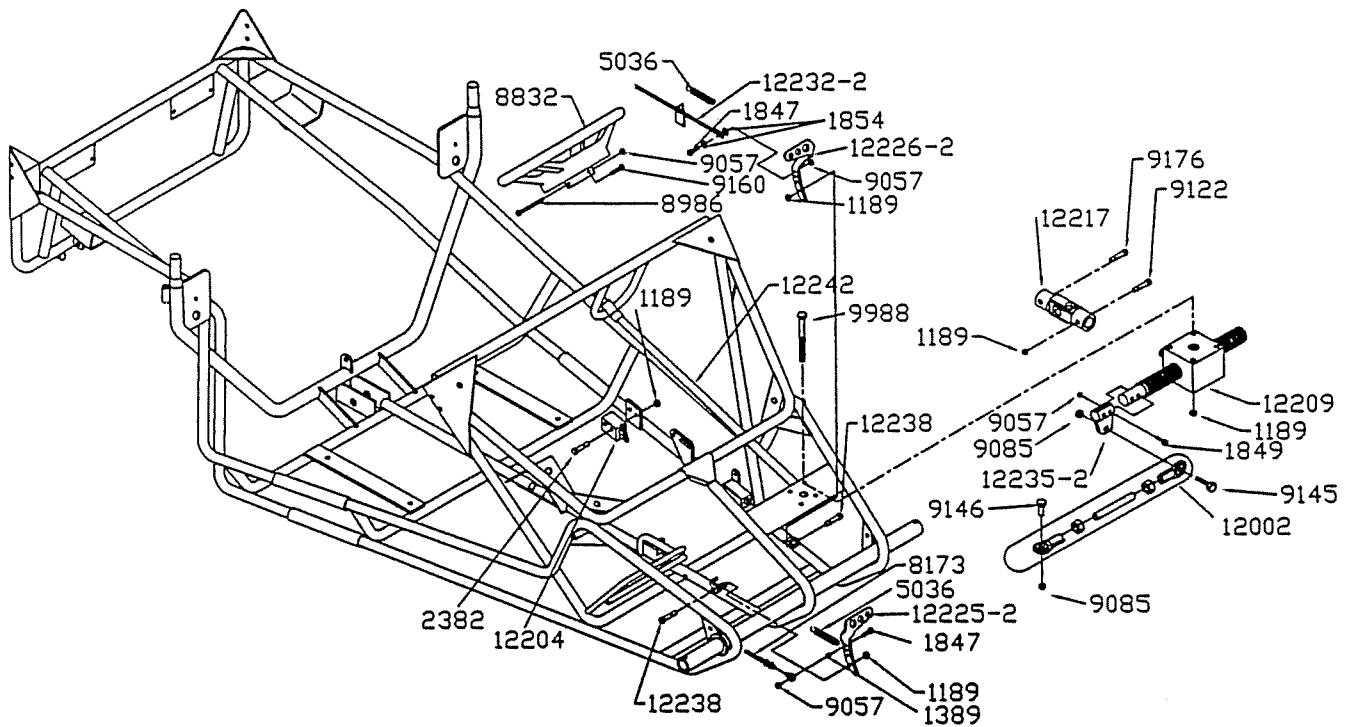


618E PARTS LIST SUPPLEMENT HYDRAULIC BRAKE PARTS DIAGRAM



1189	NUT 5/16-18 HEX TL ZINC	12237	BOLT 3/8-16 X 4.00 HHCS
1775	KEY 1/4 SQ X 1.250 L	12240	SPACER .500 ID X .750 OD X .25
3941	BEARING PRECISION SEAL	10326-16	AXLE WELD 24.789
6123	KEY 1/4 SQ X 1.750 L	10327-16	AXLE WELD 23.539
6314	ROTOR	12223-2	CALIPER MOUNT BRACKET
6617	BRG FLNG-HEAVY YELLOW CHR	2265-16	SPACER 1.0 ID 12G .750
9085	NUT 3/8-16 TL ZINC	4914-16	SPACER 1.0 ID 12G .562
9176	BOLT 5/16-18 X 1.000 HHCS	6780-16	SPACER 1.0 ID 12G 3.875
9417	WHEEL HUB ASSEMBLY	G1350	LOOM 13.500 L X 1.625 ID
12205	BRAKE CALIPER HYD. LEFT	G1512	LOOM 15.125 L X 1.625 ID
12206	BRAKE CALIPER HYD. RIGHT	PX2970	BUSHING NBR 9 1.00 ID X .125
12236	BOLT 1/2-13X3 FLAT HEAD	12207	BRAKE LINE PER FOOT

618E PARTS LIST SUPPLEMENT STEERING/PEDAL DIAGRAM



1189	NUT 5/16-18 HEX TL Z	9988	BOLT 5/16-18 X 4.000 HHCS G5 Z
1389	BUSHING .25ID X .031G X .313	12002	TIE ROD ASSM. 706 LONG
1847	BOLT 1/4-20 X 1.000 HHCS G5 Z	12209	STEERING BOX
1849	BOLT 1/4-20 X 1.500 HHCS G5 Z	12217	UNIVERSAL JOINT
1854	WASHER NBR 14 FLAT MS Z	12235-2	TIE ROD HOLDER GBLK
5036	SPRING EXTENSION 3.000 LONG .375 OD	12238	BOLT SHOULDER 3/8X2
8173	THROTTLE CABLE 90.5 IN	12225-2	PEDAL THROTTLE WDMT GBLK
8832	STEERING WHEEL	12226-2	PEDAL BRAKE WDMT GBLK
8986	BOLT 1/4-20X2 GR8 ZINC	12232-2	BRAKE ROD WDMT DEUCE GBLK
9057	NUT 1/4-20 TL Z	12242-11	STEERING COLUMN WLDMT VERDE GREEN
9085	NUT 5/16-24 HEX JAM Z	12204	BRAKE MASTER CYLINDER
9145	BOLT 3/8-16 X 1.750 HHCS G5 Z	2382	BOLT 5/16-18 X 2.000 HHCS G5 Z
9146	BOLT 3/8-16 X 1.500 HHCS G5 Z	9122	BOLT 5/16-18 X 1.250 HHCS G5 Z
9160	BOLT 1/4-20 X .875 HHCS NL G5 Z	9176	BOLT 5/16-18 X 1.000 HHCS G5 Z