

# Operator's Manual SUPPLEMENT

Model No.  
710E-1

## **⚠️ WARNING:**

Read Engine  
Owner's Manual,  
Vehicle Operator's  
Manual, and  
Supplement  
Carefully Before  
Operating Vehicle.

Parts List



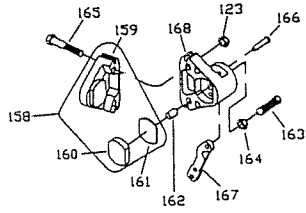
4404 Engle Ridge Drive, Fort Wayne, IN 46804  
ph (260) 432-1596      fx (260) 432-7870

# THIS VEHICLE IS FOR OFF-ROAD USE ONLY

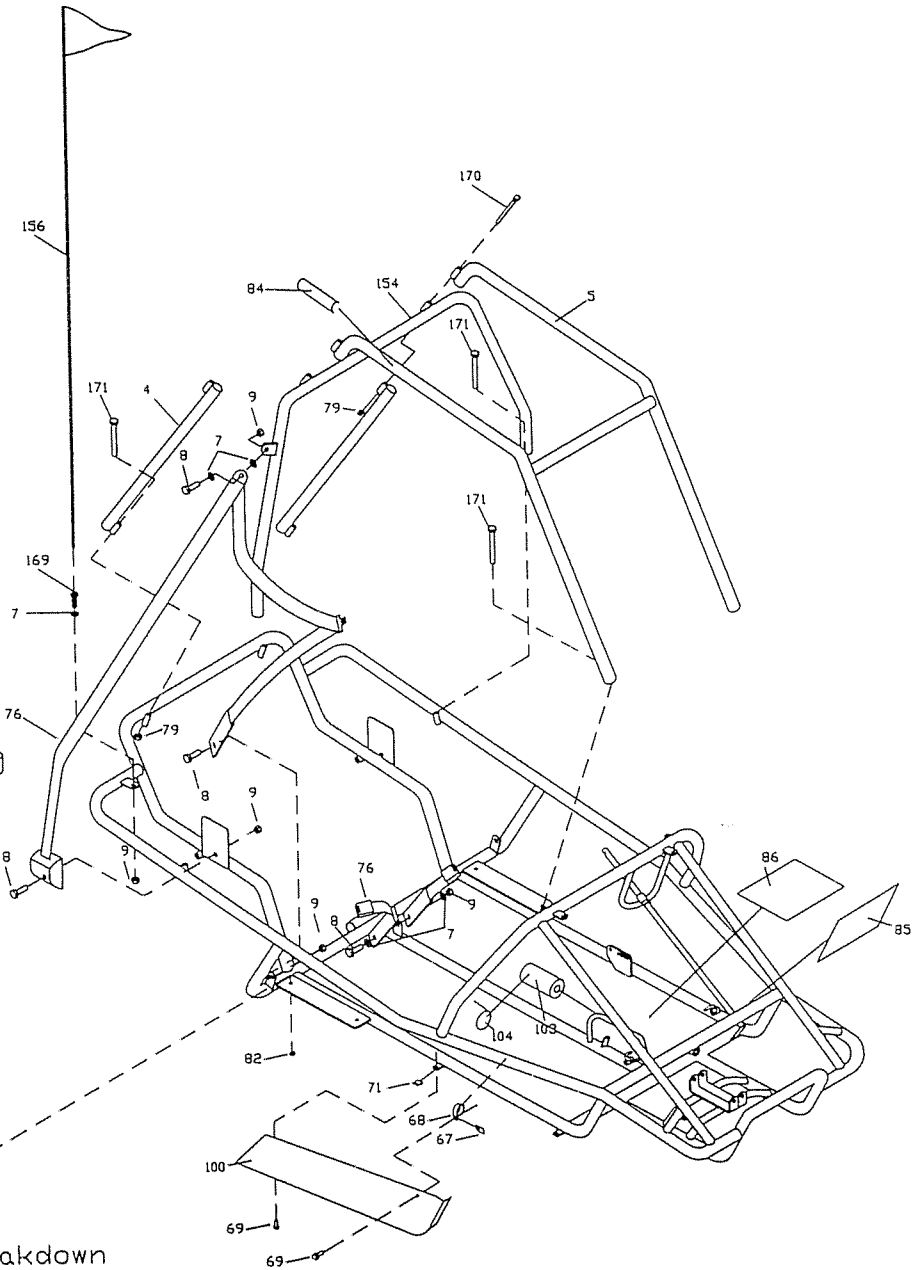
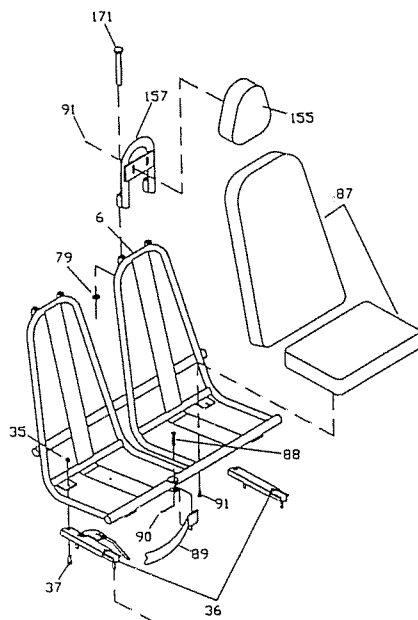
BEFORE OPERATING THIS VEHICLE, THE OWNER AND/OR OPERATOR MUST UNDERSTAND THE VEHICLE WAS NOT DESIGNED OR MANUFACTURED TO MEET SPECIFICATIONS FOR USE ON STREETS, HIGHWAYS, OR THOROUGHFARES AND HAVE READ AND HAVE AN UNDERSTANDING OF ALL THE INSTRUCTIONS FOR SAFE ASSEMBLY AND OPERATION AS WELL AS THE INSTRUCTIONS GOVERNING THE ENGINE AND OTHER PORTIONS OF THE VEHICLE.



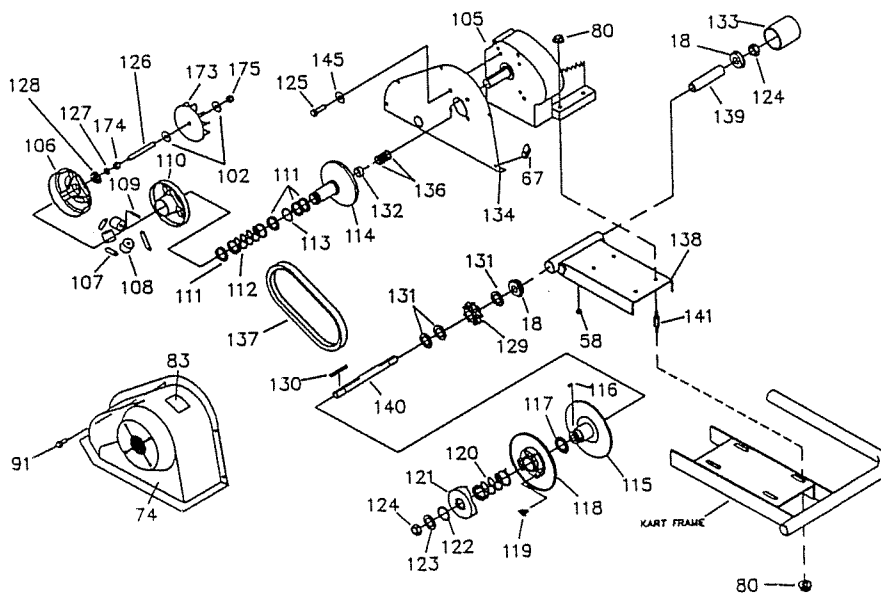
### Brake Caliper Breakdown



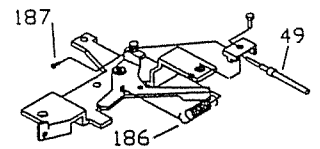
Orientation of lever and hardware may vary.



### Torque Converter Drive Breakdown



### THROTTLE LINKAGE DETAIL



# PARTS LIST MODEL 710E-1

REF NO	PART NO	DESCRIPTION	REF NO	PART NO	DESCRIPTION
1	12391-37	FRAME 706 RED BARON	55	10335	BRAKE CALIPER MB1
2	12345	SWING ARM-REAR W/BUSHINGS	56	12496	STEERING WHEEL
3	11954-2Z	SWING ARM FRONT RH W/ZERK	NI	12481	STEERING WHEEL CAP
NI	11955-2Z	SWING ARM FRONT LH W/ZERK	57	9103	BOLT 1/4-20 X 2.000 HHCS G2 Z
4	11923-37	REAR BAR 706 RED BARON	58	9057	NUT 1/4-20 TL Z <sup>3/6</sup>
5	11925-37	OVERHEAD BAR 706 RED BARON	59	<del>3918-2920</del>	CHAIN 420 X <del>77</del> P W, MSTRLINK
6	12011-2	SEAT FRAME 706B GBLK	60	2037	MASTER LINK #420
7	9022	WASHER 1/2 STD FLAT Z	61	1412	WH ASM 8IN STL WH 22X11-8 KN
8	9188	BOLT 1/2-13 X 1.50 HHCS G5 Z	62	1452	TIRE 22/11 X 8 KNB TBLS ATV
9	1012	NUT 1/2-13 TL HEX Z	63	1430	TUBE 8" (REPAIR PART ONLY)
10	1264	BOLT 1/2-13 X 3.750 HHCS G2 Z	64	G0725	LOOM 7.25 L 1.625 OD
11	10834	BOLT 1/2-13 X 7.000 HHCS G5 Z	65	1557H	WHEEL FLANGE ASM HEX
12	1104	SPACER SPLIT .812OD .625ID 1.000L	66	1428	NUT 1/2-20 CONE WHEEL
14	1046	NUT 5/8-11 TL HEX Z	67	8227	NUT 1/4-20 CLIP
15	12140	BUSHING BRONZE .625X1.25	68	11387	LOOP CLIP 1.25 ID
16	12141	BOLT SHOULDER 1/2X1.875	69	1876	BOLT 1/4-20 X .625 HH WF Z
17	12826	16 X 8 X 8 FRONT TIRE (INCL. 18-21)	70	12170	NUT RECT 1/4-20 X 9/16
18	5090	BEARING 5/8 ID 1-3/8 OD	71	2449	NUT TINNEMAN C7343-1420-4
19	5950	SPANNER 5/8 ID X 2-1/8	72	12352	GUARD TOP 710
20	12829	TIRE - 16 X 8 X 8 SNOW HOG	73	12155	GUARD BOTTOM 710
21	<del>42830</del>	TUBE - 16 X 8 X 8 - <sup>9609</sup>	74	11801	COVER TAV 710
NI	11951-2Z	SPINDLE LH 706 GBLK W/ZERK	75	9929	RUBBER CAP .25ID X .25 BLACK
22	11950-2Z	SPINDLE RH 706 GBLK W/ZERK	76	8778	HARNESS LAP SHOULDER REST
23	12002	TIE ROD ASM. LONG (INCL. 25,26, 28-30)	77	12015	SHOCK ABSORBER
24	12001	TIE ROD ASM SHORT(INCL 25-27, 29,30)	78	9190	BOLT 3/8-16 X 3.250 HHCS G5 Z
25	1414	ROD END, RH THREAD	79	9085	NUT 3/8-16 TL HEX Z
26	9092	NUT 3/8-24 JAM RH	80	9192	NUT 3/8-16 HEX WF
27	11886	TIE ROD 5"	81	<del>6949-3115</del>	CHOKE CABLE
28	11887	TIE ROD 16.5"	82	1263	NUT 5/16-18 HEX WF Z
29	9024	NUT 3/8-24 JAM LH	83	11330	DECAL SHEET-WARNINGS (LARGE)
30	1415	ROD END, LH THREAD	84	12008	DECAL SHEETWARNINGS(SMALL#2)
31	9158	BOLT 3/8-16 X 2.250 HHCS G5 Z	85	11835	DECAL - FOOTREST SCUFF
32	9146	BOLT 3/8-16 X 1.500 HHCS G5 Z	86	11836	DECAL - FLOOR PAN SCUFF
33	6293-16	PEDAL BRAKE - ZINC PLTD	87	11636	SEAT - BACK/BOTTOM SGL PLAIN
34	6309-16	PEDAL THROTTLE - ZINC PLTD	88	9118	PIN CLEVIS .250 X 1.500
35	1189	NUT 5/16-18 HEX TL Z	89	4372	HANDHOLD
36	8655	SEAT SLIDE PAIR	90	9116	PIN COTTER 3/32 X .750 Z
37	9176	BOLT 5/16-18 X 1.000 HHCS G5 Z	91	9006	BOLT 1/4-20 X .500 HH WF
38	1447	BOLT 5/16-18X11/16THD SHOULDER	92	12354	HARNESS WIRING 710E-1
39	9091	WASHER FLAT 3/8 SAE N	93	12159	STOP SWITCH/LIGHT KIT
40	9160	BOLT 1/4-20 X .875 HHCS NL G5 Z	94	6773-2	PARKING BRAKE HANDLE WDMT
41	1848	BOLT 1/4-20 X 1.250 HHCS G5 Z	95	6441	WASHER 3/8 SPRING
42	1849	BOLT 1/4-20 X 1.500 HHCS G5 Z	96	9172	BOLT SHOULDER 3/8 X 1/4 SH
43	1846	BOLT 1/4-20 X .750 HHCS G5 Z	97	6440	NUT 5/16-18 JAM
44	1847	BOLT 1/4-20 X 1.000 HHCS G5 Z	98	6442	BRAKE HANDLE COVER
45	1389	BUSHING .25ID X .031G X .313	99	9869	SPACER .250ID .312OD .625 BR
46	9502	SPRING PEDAL LEFT WOUND	100	12018	PANEL 706 RH SIDE
47	9503	SPRING PEDAL RIGHT WOUND	101	12019	PANEL 706 LH SIDE
48	1854	WASHER NBR 14 FLAT MS Z	102	9125	WASHER FLAT 3/8 USS W
49	8251	THROTTLE CABLE 74.5 IN	103	12039	FOAM 2.25 X .88 X 4.500 BLACK
50	9058	NUT 5/16-24 JAM	104	1019	CABLE TIE - BIG BLACK T40ROW
51	2666	SWIVEL SCREW	105	12252	ENGINE 10HP OHC ELEC START
52	2748	CABLE STOP NUT	ASM	2594	DRIVER PULLEY ASSMBLY
53	11997-2	BRAKE ROD FRONT 706 GBLK			(INCLUDES REF 106-114)
54	10155-2	BRAKE ROD REAR			

# PARTS LIST MODEL 710E-1

REF NO	PART NO	DESCRIPTION	REF NO	PART NO	DESCRIPTION
106	**	COVER AND DRIVE PLATE	151	9338	SPROCKET LA 420P 60T
107	2472	EXTENSION SPRING	152	6280H	SPROCKET HUB HEX
108	2470	CAM ROLLER	153	6701	BOLT 5/16-18 X 1.250 SHCS
109	2471	SPRING CLIP	154	11928-5	CENTER BAR 706 RED BARON
110	**	MOVEABLE FACE AND HUB	155	6320	HEADREST SGL PLAIN
111	2474	GUIDE BUSHING	156	5447	SAFETY FLAG - 6FT
112	2475	COMPRESSION SPRING	157	12016-2	HEADREST FRAME GBLK
113	**	RETAINING RING	158	9810	BRAKE PAD SVC KIT (INCL 159-161)
114	**	FIXED FACE AND POST	159	**	ANVIL W/LINING
<b>ASM</b>	8664	DRIVEN PULLEY ASSEMBLY (INCLUDES REF 115-123)	160	**	BRAKE LINING
115	**	FIXED FACE AND POST	161	3928	BACKING PLATE
116	1031	KEY 3/16SQX1/2"	162	3930	ACTUATOR PIN
117	2483	SPACER	163	3931	ADJUSTER PIN
118	**	MOVEABLE FACE AND CAM	164	3932	NUT JAM
119	2516	BUTTON INSERT	165	9158	BOLT 3/8-16 X 2.250 HHCS
120	2480	TORSION SPRING	ASM	6534	MB-1 SERVICE KIT (INCL 166-168)
121	**	FIXED CAM	166	**	GROOVE PIN
122	2478	THRUST WASHER	167	**	LEVER
123	2477	RETAINING RING	168	**	BRAKE HOUSING
124	1466	NUT, 5/8-11 FLEXLOK JAM	169	11361	BOLT - FLAG MTG
125	9101	BOLT 5/16-24 X .500 HHCS G5 NL	170	6452	BOLT 3/8-16 X 5.000 HHCS G5 Z
126	12350	BOLT 7/16-20 X 4.250 STUD G5 ZINC	171	2386	BOLT 3/8-16 X 3.500 HHCS G5 Z
127	2467	WASHER 7/16 SL	172	11943-2	LEVER STEERING PIVOT
128	2468	WASHER, PILOT	173	8600	IMPELLER
129	8720	SPROCKET 420P 9T INTEGRAL KEY	174	8604	NUT 7/16-20 UNF HEX YZ
130	3403	KEY 3/16SQ X 2.000	175	8402	NUT 7/16-20 TL HEX YZ
131	1119	SPACER .625ID 1.062OD .125THK Z	176	9430	BATTERY HOLD DOWN ROD
132	1082	SPACER 1" ID X 7/16"	177	9468	NUT NBR 10-32 NL WING
133	11808	CAP VINYL	178	9642-2	BATTERY CLAMP BAR GBLK
134	12358-2	PLATE COVER 710 GBLK	179	3633	BATTERY
136	3887	SPACER 1" ID X 1/16"	180	6803-2	COVER CONTROL PANEL
137	12346	DRIVE BELT	181	5135	NUT TINNEMAN
138	12335-2	CHASSIS WLDMNT BLK 710	182	6046	BOLT NBR 10-24 X .500
139	2430	SPANNER 5/8ID	183	6039	WASHER NBR 10 IL ZINC
140	8854	JACKSHAFT 5/8 X 13.69"	185	4913-16	SPACER 1" ID X 3.0" ZINC
141	12349	ENGINE SUPPORT STUD	186	12348	RETURN SPRING
142	11802	AXLE HEX WDMT- ZINC PLTD	187	12347	SWIVEL SCREW
143	6314H	BRAKE DISC 8 HEX			
144	8462-16	SPACER 1.000ID X 1.2500D X 2.75			
145	9060	WASHER 5/16 PLAIN			
146	2265-16	SPACER 1.000ID 12G .750L ZINC			
147	3941H	BEARING PRECISION,SEAL .875HEX			
148	6617	BRG FLNG-HEAVY YELLOW			
149	1194	WASHER 3/4 SAE FLAT			
150	9162	NUT 3/4-10 HEX TL Z			

**ASM** – ASSEMBLY  
**NI** – NOT ILLUSTRATED  
**\*\*** - NOT SOLD SEPERATELY

## Technical Service Bulletin 137

**Date:** January 14, 2003  
**Subject:** 710E-1 Charging System  
**Models Affected:** 710E-1 Models using the Robin 10 HP Engine

**Description of Problem:** During the initial production of the 710E-1 models, there were some problems found with the wiring for the charging system. The voltage regulator supplied with the Robin engine requires an excitation voltage to be present to assure proper operation. On some karts, the excitation voltage is not sufficient to allow proper charging.

**Solution:** An additional wiring connection needs to be made through the wiring harness to assure proper charging system performance.

1. Use a piece of 16 gage wire to make a lead 48 inches long with a female bullet connector on one end and a spade or hook terminal on the opposite end.
2. Route the wire through the main harness from the engine / regulator area to the key switch box. The bullet connector needs to be at the regulator end of the harness.
3. Connect the new wire to the regulator using the red/white wire that is on the regulator. Connect the terminal to the key switch lug marked "L".

A revised wiring diagram is attached for your use in understanding this new configuration. A pre-assembled wire is available through customer service to help in this rework. The part number for this wire is 12846.

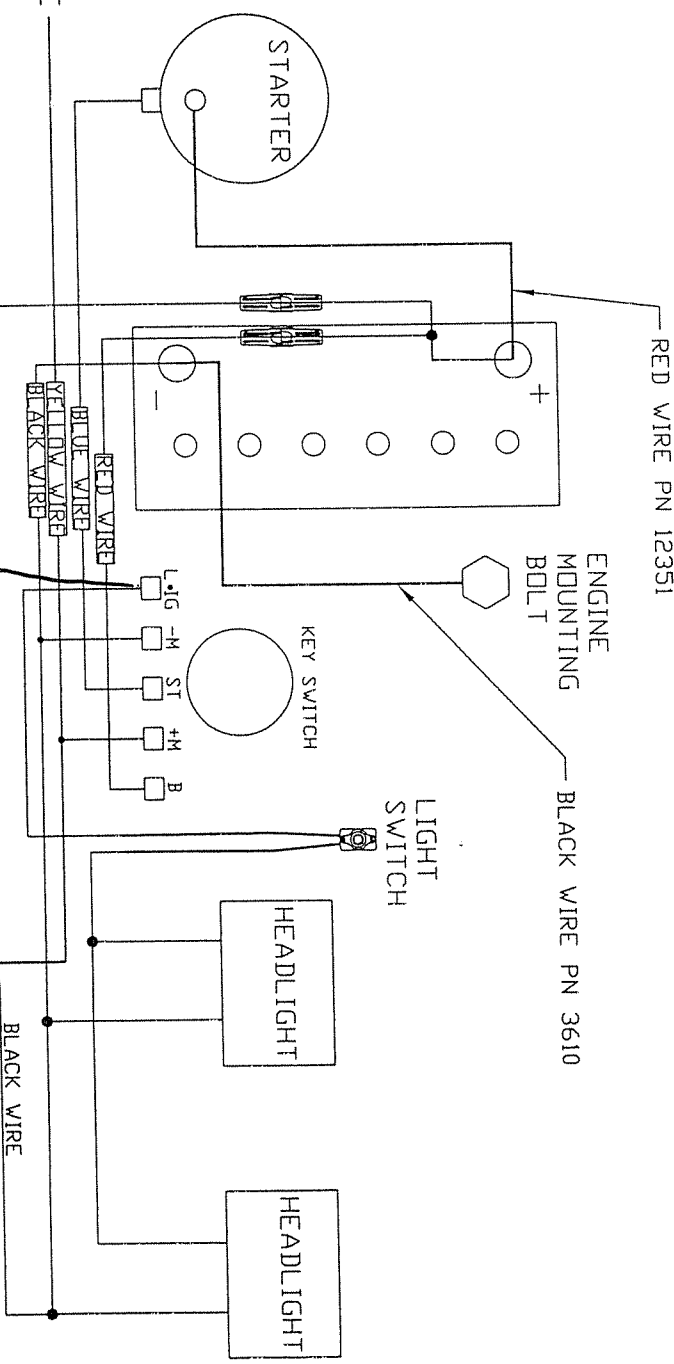
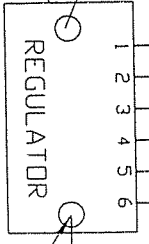
K.7 12847

L344's 10184

- KEY SWITCH PN 12353
- WIRING HARNESS PN 12354
- STOP SWITCH/LIGHT KIT PN 12159
- REPLACEMENT LIGHTS ONLY PN 10184
- VOLTAGE REGULATOR ONLY PN 12761

- MAGNETO WIRE ON ENGINE
- COIL OUTPUT ON ENGINE
- BOLT 1/4-20 X 1.500 PN1849
- WASHER 14 FLAT PN1854
- NUT 1/4-20 TL Z PN9057

- REGULATOR WIRING
- 1 YELLOW WIRE
  - 2 RED WIRE
  - 3 RED W/WHITE WIRE (NOT USED)
  - 4 YELLOW WIRE (NOT USED)
  - 5 BLACK WIRE
  - 6 YELLOW W/GREEN WIRE



# 710 WIRING DIAGRAM

12172 R3