

Operator's Manual
SUPPLEMENT

Model No.
710E-1

⚠ WARNING:

Read Engine
Owner's Manual,
Vehicle Operator's
Manual, and
Supplement
Carefully Before
Operating Vehicle.

Parts List



4404 Engle Ridge Drive, Fort Wayne, IN 46804
ph (260) 432-1596 fx (260) 432-7870

**THIS VEHICLE IS FOR
OFF-ROAD USE ONLY**

BEFORE OPERATING THIS VEHICLE, THE OWNER AND/OR OPERATOR MUST UNDERSTAND THE VEHICLE WAS NOT DESIGNED OR MANUFACTURED TO MEET SPECIFICATIONS FOR USE ON STREETS, HIGHWAYS, OR THOROUGHFARES AND HAVE READ AND HAVE AN UNDERSTANDING OF ALL THE INSTRUCTIONS FOR SAFE ASSEMBLY AND OPERATION AS WELL AS THE INSTRUCTIONS GOVERNING THE ENGINE AND OTHER PORTIONS OF THE VEHICLE.

PARTS LIST MODEL 710E-1

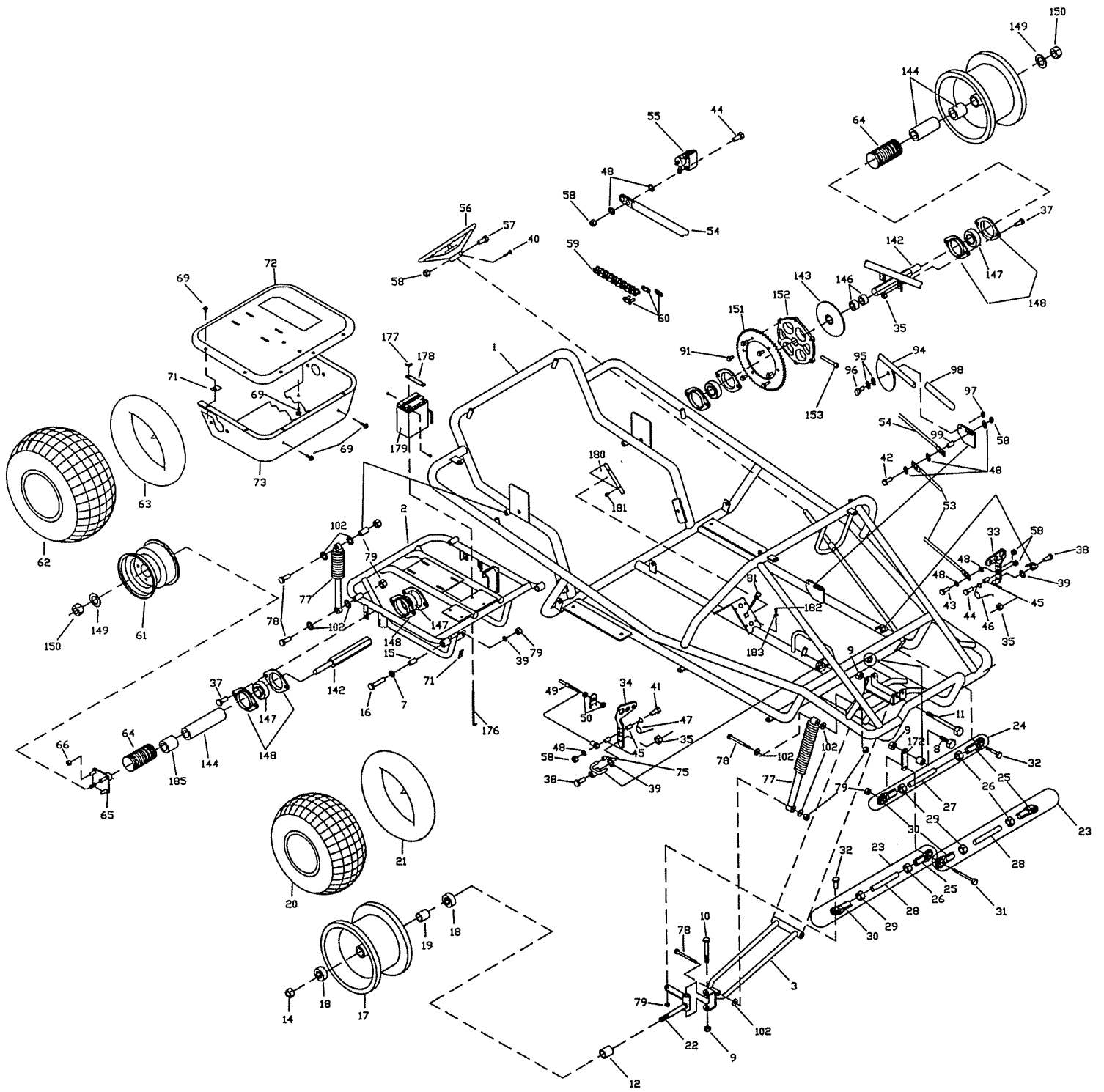
REF NO	PART NO	DESCRIPTION	REF NO	PART NO	DESCRIPTION
1	12391-37	FRAME 7XX RED WAGON	55	10335	BRAKE CALIPER MB1
2	12345	SWING ARM-REAR W/BUSHINGS	56	12496	STEERING WHEEL
3	11954-2Z	SWING ARM FRONT RH W/ZERK	NI	12481	STEERING WHEEL CAP
NI	11955-2Z	SWING ARM FRONT LH W/ZERK	57	9103	BOLT 1/4-20 X 2.000 HHCS G2 Z
4	11923-37	REAR BAR 7XX RED WAGON	58	9057	NUT 1/4-20 TL Z
5	11925-37	OVERHEAD BAR 706 RED WAGON	59	3818	CHAIN 420 X 80P W, MSTRLINK
6	12011-2	SEAT FRAME 7XX GBLK	60	2037	MASTER LINK #420
7	9022	WASHER 1/2 STD FLAT Z	61	1412	WH ASM 8IN STL WH 22X11-8 KN
8	9188	BOLT 1/2-13 X 1.50 HHCS G5 Z	62	1452	TIRE 22/11 X 8 KNB TBL5 ATV
9	1012	NUT 1/2-13 TL HEX Z	63	1430	TUBE 8" (REPAIR PART ONLY)
10	1264	BOLT 1/2-13 X 3.750 HHCS G2 Z	64	G0725	LOOM 7.25 L 1.625 OD
11	10834	BOLT 1/2-13 X 7.000 HHCS G5 Z	65	1557H	WHEEL FLANGE ASM HEX
12	1104	SPACER SPLIT .812OD .625ID 1.000L	66	1428	NUT 1/2-20 CONE WHEEL
14	1046	NUT 5/8-11 TL HEX Z	67	8227	NUT 1/4-20 CLIP
15	12140	BUSHING BRONZE .625X1.25	68	11387	LOOP CLIP 1.25 ID
16	12141	BOLT SHOULDER 1/2X1.875	69	1876	BOLT 1/4-20 X .625 HH WF Z
17	12826	16 X 8 X 8 FRONT TIRE (INCL. 18-21)	70	---	
18	5090	BEARING 5/8 ID 1-3/8 OD	71	2449	NUT TINNERMAN C7343-1420-4
19	5950	SPANNER 5/8 ID X 2-1/8	72	12352	GUARD TOP 710
20	12829	TIRE - 16 X 8 X 8 SNOW HOG	73	12155	GUARD BOTTOM 710
21	9609	TUBE - 16 X 8 X 7	74	11801	COVER TAV 710
NI	11951-2Z	SPINDLE LH 7XX GBLK W/ZERK	75	9929	RUBBER CAP .25ID X .25 BLACK
22	11950-2Z	SPINDLE RH 7XX GBLK W/ZERK	76	8778	HARNESS LAP SHOULDER REST
23	12467	TIE ROD ASM. LONG (INCL. 25,26, 28-30)	77	12015	SHOCK ABSORBER
24	12001	TIE ROD ASM SHORT(INCL 25-27, 29,30)	78	9190	BOLT 3/8-16 X 3.250 HHCS G5 Z
25	1414	ROD END, RH THREAD	79	9085	NUT 3/8-16 TL HEX Z
26	9092	NUT 3/8-24 JAM RH	80	9192	NUT 3/8-16 HEX WF
27	11886	TIE ROD 5"	81	8118	CHOKE CABLE
28	12466	TIE ROD 16.5"	82	1263	NUT 5/16-18 HEX WF Z
29	9024	NUT 3/8-24 JAM LH	83	11330	DECAL SHEET-WARNINGS (LARGE)
30	1415	ROD END, LH THREAD	84	12008	DECAL SHEETWARNINGS(SMALL#2)
31	9158	BOLT 3/8-16 X 2.250 HHCS G5 Z	85	11835	DECAL - FOOTREST SCUFF
32	9146	BOLT 3/8-16 X 1.500 HHCS G5 Z	86	11836	DECAL - FLOOR PAN SCUFF
33	6293-16	PEDAL BRAKE - ZINC PLTD	87	11636	SEAT - BACK/BOTTOM SGL PLAIN
34	6309-16	PEDAL THROTTLE - ZINC PLTD	88	9118	PIN CLEVIS .250 X 1.500
35	1189	NUT 5/16-18 HEX TL Z	89	4372	HANDHOLD
36	8655	SEAT SLIDE PAIR	90	9116	PIN COTTER 3/32 X .750 Z
37	9176	BOLT 5/16-18 X 1.000 HHCS G5 Z	91	9006	BOLT 1/4-20 X .500 HH WF
38	1447	BOLT 5/16-18X11/16THD SHOULDER	92	12354	HARNESS WIRING 710E-1
39	9091	WASHER FLAT 3/8 SAE N	93	12159	STOP SWITCH/LIGHT KIT
40	9160	BOLT 1/4-20 X .875 HHCS NL G5 Z	NI	10184	REPLACEMENT LIGHTS ONLY
41	1848	BOLT 1/4-20 X 1.250 HHCS G5 Z	94	6773-2	PARKING BRAKE HANDLE WDMT
42	1849	BOLT 1/4-20 X 1.500 HHCS G5 Z	95	6441	WASHER 3/8 SPRING
43	1846	BOLT 1/4-20 X .750 HHCS G5 Z	96	9172	BOLT SHOULDER 3/8 X 1/4 SH
44	1847	BOLT 1/4-20 X 1.000 HHCS G5 Z	97	6440	NUT 5/16-18 JAM
45	1389	BUSHING .25ID X .031G X .313	98	6442	BRAKE HANDLE COVER
46	9502	SPRING PEDAL LEFT WOUND	99	9869	SPACER .250ID .312OD .625 BR
47	9503	SPRING PEDAL RIGHT WOUND	100	12018	PANEL 706 RH SIDE
48	1854	WASHER NBR 14 FLAT MS Z	101	12019	PANEL 706 LH SIDE
49	8251	THROTTLE CABLE 74.5 IN	102	9125	WASHER FLAT 3/8 USS W
50	9058	NUT 5/16-24 JAM	103	12039	FOAM 2.25 X .88 X 4.500 BLACK
53	11997-2	BRAKE ROD FRONT 7XX GBLK	104	1019	CABLE TIE - BIG BLACK T40ROW
54	10155-2	BRAKE ROD REAR	105	12252	ENGINE 10HP OHC ELEC START

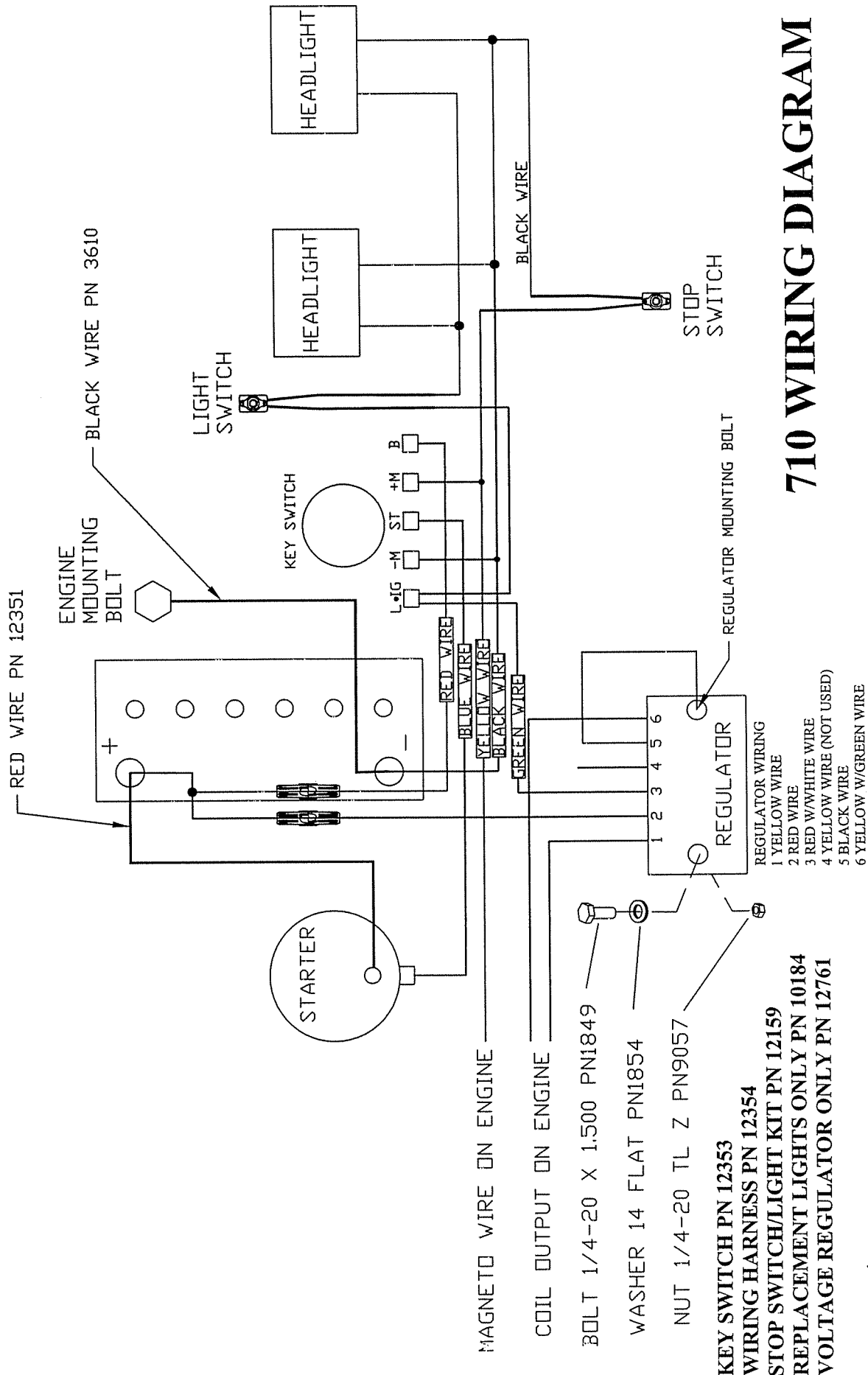
PARTS LIST

MODEL 710E-1

REF NO	PART NO	DESCRIPTION	REF NO	PART NO	DESCRIPTION
ASM	2594	DRIVER PULLEY ASSMBLY (INCLUDES REF 106-114)	151	9338	SPROCKET LA 420P 60T
106	**	COVER AND DRIVE PLATE	152	6280H	SPROCKET HUB HEX
107	2472	EXTENSION SPRING	153	6701	BOLT 5/16-18 X 1.250 SHCS
108	2470	CAM ROLLER	154	11928-37	CENTER BAR 7XX RED WAGON
109	2471	SPRING CLIP	155	6320	HEADREST SGL PLAIN
110	**	MOVEABLE FACE AND HUB	156	5447	SAFETY FLAG - 6FT
111	2474	GUIDE BUSHING	157	12016-2	HEADREST FRAME GBLK
112	2475	COMPRESSION SPRING	158	9810	BRAKE PAD SVC KIT (INCL 159-161)
113	**	RETAINING RING	159	**	ANVIL W/LINING
114	**	FIXED FACE AND POST	160	**	BRAKE LINING
ASM	8664	DRIVEN PULLEY ASSEMBLY (INCLUDES REF 115-123)	161	3928	BACKING PLATE
115	**	FIXED FACE AND POST	162	3930	ACTUATOR PIN
116	1031	KEY 3/16SQX1/2"	163	3931	ADJUSTER PIN
117	2483	SPACER	164	3932	NUT JAM
118	**	MOVEABLE FACE AND CAM	165	9158	BOLT 3/8-16 X 2.250 HHCS
119	2516	BUTTON INSERT	ASM	6534	MB-1 SERVICE KIT (INCL 166-168)
120	2480	TORSION SPRING	166	**	GROOVE PIN
121	**	FIXED CAM	167	**	LEVER
122	2478	THRUST WASHER	168	**	BRAKE HOUSING
123	2477	RETAINING RING	169	11361	BOLT - FLAG MTG
124	1466	NUT, 5/8-11 FLEXLOK JAM	170	6452	BOLT 3/8-16 X 5.000 HHCS G5 Z
125	9101	BOLT 5/16-24 X .500 HHCS G5 NL	171	2386	BOLT 3/8-16 X 3.500 HHCS G5 Z
126	12350	BOLT 7/16-20 X 4.250 STUD G5 ZINC	172	11943-2	LEVER STEERING PIVOT
127	2467	WASHER 7/16 SL	173	8600	IMPELLER
128	2468	WASHER, PILOT	174	8604	NUT 7/16-20 UNF HEX YZ
129	8720	SPROCKET 420P 9T INTEGRAL KEY	175	8402	NUT 7/16-20 TL HEX YZ
130	3403	KEY 3/16SQ X 2.000	176	9430	BATTERY HOLD DOWN ROD
131	1119	SPACER .625ID 1.062OD .125THK Z	177	9468	NUT NBR 10-32 NL WING
132	1082	SPACER 1" ID X 7/16"	178	9642-2	BATTERY CLAMP BAR GBLK
133	11808	CAP VINYL	179	3633	BATTERY
134	12358-2	PLATE COVER 710 GBLK	180	6803-2	COVER CONTROL PANEL
136	3887	SPACER 1" ID X 1/16"	181	5135	NUT TINNEMAN
137	12346	DRIVE BELT	182	6046	BOLT NBR 10-24 X .500
138	12335-2	CHASSIS WLDMNT BLK 710	183	6039	WASHER NBR 10 IL ZINC
139	2430	SPANNER 5/8ID	185	4913-16	SPACER 1" ID X 3.0" ZINC
140	8854	JACKSHAFT 5/8 X 13.69"	186	12348	RETURN SPRING
141	12349	ENGINE SUPPORT STUD	187	12347	SWIVEL SCREW
142	11802	AXLE HEX WDMT- ZINC PLTD			
143	6314H	BRAKE DISC 8 HEX			
144	8462-16	SPACER 1.000ID X 1.2500D X 2.75			
145	9060	WASHER 5/16 PLAIN			
146	2265-16	SPACER 1.000ID 12G .750L ZINC			
147	3941H	BEARING PRECISION, SEAL .875HEX			
148	6617	BRG FLNG-HEAVY YELLOW			
149	1194	WASHER 3/4 SAE FLAT			
150	9162	NUT 3/4-10 HEX TL Z			

ASM – ASSEMBLY
NI – NOT ILLUSTRATED
****** - NOT SOLD SEPERATELY





710 WIRING DIAGRAM

12172 R5

12823 KCS