

Operator's Manual
SUPPLEMENT

▲WARNING:

Read Engine
Owner's Manual,
Vehicle Operator's
Manual, and
Supplement
Carefully Before
Operating Vehicle.

Parts List

Model Numbers

713 3.5hp Indy Kar

715 5.0hp Indy Kar

MANCO
PRODUCTS, INC.

4404 Engle Ridge Drive, Fort Wayne, IN
ph (219) 432-1596 fx (219) 432-7870

THIS VEHICLE IS FOR
OFF-ROAD USE ONLY

BEFORE OPERATING THIS VEHICLE, THE OWNER AND/OR OPERATOR MUST UNDERSTAND THE VEHICLE WAS NOT DESIGNED OR MANUFACTURED TO MEET SPECIFICATIONS FOR USE ON PUBLIC ROADS, STREETS, HIGHWAYS, OR THOROUGHFARES AND HAVE READ AND HAVE AN UNDERSTANDING OF ALL THE INSTRUCTIONS FOR SAFE ASSEMBLY AND OPERATION AS WELL AS THE INSTRUCTIONS GOVERNING THE ENGINE AND OTHER PORTIONS OF THE VEHICLE.

**REPAIR PARTS
MODELS 713 & 715**

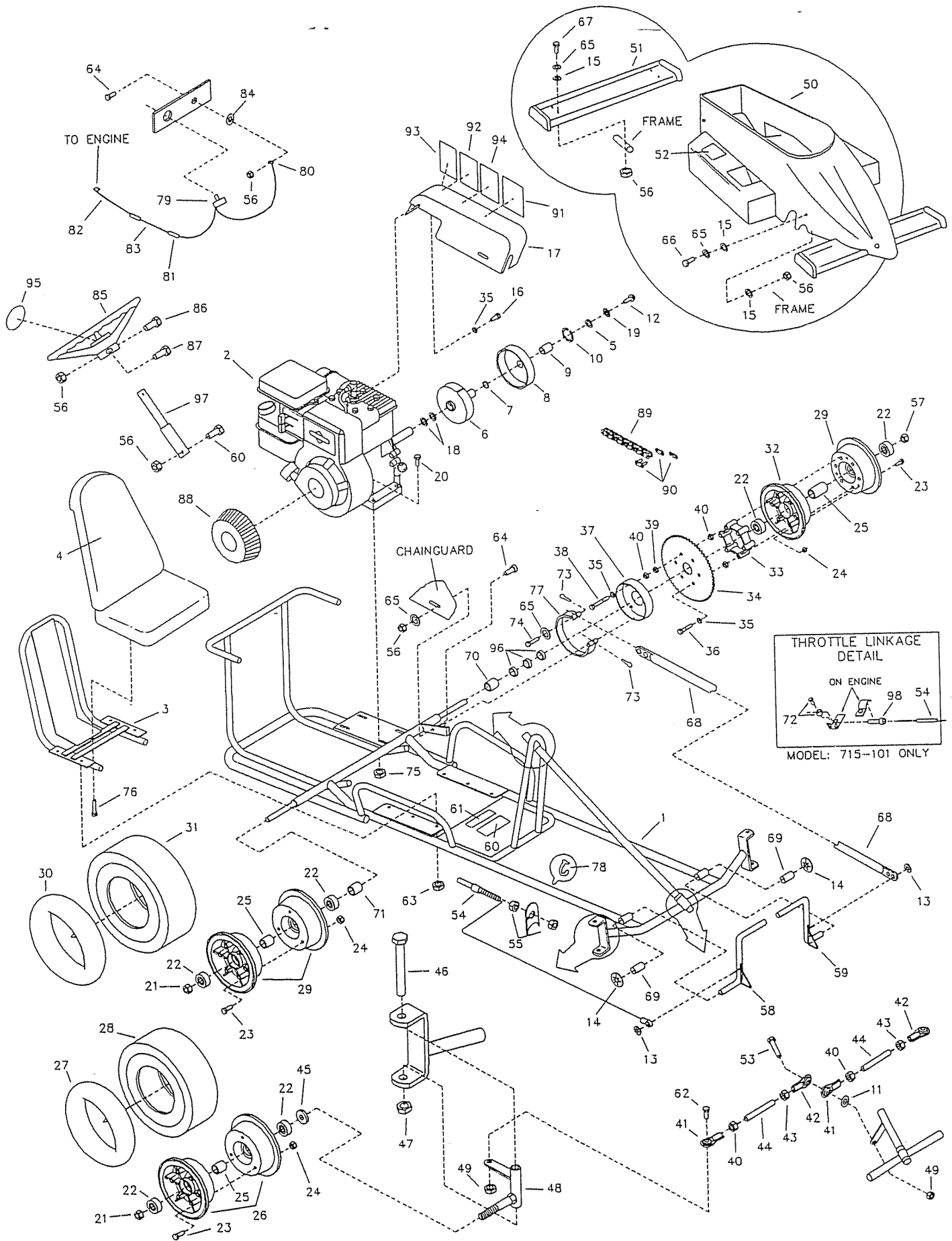
REF NO.	PART NO.	DESCRIPTION	REF NO.	PART NO.	DESCRIPTION
1	9565-2	Frame	50	4204	Indy Body (Specify Color)
2	8049	Engine, 3.5hp (713)	51	4205	Indy Spoiler (Specify Color)
	6010	Engine, 5hp (715-100)	52	3270	Decal, No Step
	9737	Engine, 5.5hp (715-101)	53	9145	Bolt, 3/8-16 x 1.75"
3	4399-2	Seat Frame	54	1496	Throttle Cable w/ Housing (inc. 55)
4	1976	Seat Pad	55	9058	Nut, 5/16-24 Jam
5	1943	Washer, 9/32 ID x 1 1/4 OD Fender *	56	9057	Nut, 1/4-20 Toplock
ASM	4195	Clutch Assembly (inc. 6-10)	57	1046	Nut, 5/8-11 Toplock (713)
6	4496	Clutch Rotor		9155	Nut, 5/8-11 Jam (715)
7	3146	Washer, Fiber	58	3279	Pedal, Throttle
8	9781	Drum w/ Sprocket (inc. 9)	59	3280	Pedal, Brake
9	3143	Bushing	60	4504	Decal, Yellow Warning
10	3141	Snap Ring	61	2832	Decal, No Passengers
11	9091	Washer, 3/8" Flat	62	9146	Bolt, 3/8-16 x 1.50"
12	5733	Bolt, 1/4-28 x .75" Whiz Flange (713)	63	1189	Nut, 5/16-18 Toplock
	1491	Bolt, 5/16-24 x .75" (715)	64	1846	Bolt, 1/4-20 x .75"
13	9149	Nut, 1/4" Push	65	1854	Washer, #14 Flat
14	9150	Nut, 1/2" Push	66	1848	Bolt, 1/4-20 x 1.25"
15	3463	Washer, 1/4" ID Rubber	67	1849	Bolt, 1/4-20 x 1.50"
16	9101	Bolt, 5/16-24 x .50"	68	5097	Brake Rod
17	9569	Chainguard	69	3288	Bushing, 1/2" ID x .5"
18	1168	Washer, 3/4" ID *	70	2024	Spacer, 5/8" ID x 1.50"
19	5732	Washer, 1/4" Int/Ext Lock (713)	71	6090	Spacer, 5/8" ID x 1.25"
	9001	Washer, 3/8" Int/Ext Lock (715)	72	1018	Throttle Cable Stop
20	9186	Bolt, 5/16-18 x 1.50"	73	9116	Cotter Pin
21	1046	Nut, 5/8-11 Toplock	74	9118	Clevis Pin
ASM	4553	Front Wheel Assembly (inc. 22-28)	75	1263	Nut, 5/16-18 Flange
ASM	5901	Idle Wheel Asm (inc. 22-25,29-31)	76	1876	Bolt, 1/4-20 x .625" Whiz Flange
ASM	9566	Drive Wheel Asm* (inc. 22-25,29-40)	77	1036	Brake Band
ASM	9567	Drive Wheel Asm** (inc. 22-25, 29-40)	78	1019	Ty-Wrap
22	1093	Bearing	ASM	9568	Stop Switch Assembly (inc. 79-83)
23	5839	Bolt, 1/4-20 x .75"	79	1392	Stop Switch
24	1186	Nut, 1/4-20	80	1393	Ring Terminal
25	5949	Spanner	81	2650	Butt Connector
26	5158	Wheel Half, Front 4"	82	1406	Wire w/ Terminal
27	1053	Tube, Front 4"	83	1394	Wire, 50" w/ Butt Connector
28	1751	Tire, Front 4.10/3.50 x 4" Slick	84	5732	Washer, 1/4" Int/Ext Lock
29	8004	Wheel Half, Rear 5" Untapped	85	6038	Steering Wheel
30	1753	Tube, Rear 5"	86	9080	Bolt, 1/4-20 x 2.75"
31	6035	Tire, Rear 4.10/3.50 x 5" Slick	87	9160	Bolt, 1/4-20 x .875"
32	8006	Wheel Half, Rear 5" Tapped	88	6237	Finger Guard *
33	8008	Spacer	89	6511	Chain, #420 x 66 Pitch (inc. 90)
34	9493	Sprocket, #420 Chain x 60 Teeth	90	2037	Master Link, #420 Chain
35	9030	Washer, 5/16 Lock	91	1049	Decal, Caution
36	9127	Bolt, 5/16-18 x 2.25"	92	4912	Decal, Warning
37	1246	Brake Drum	93	6791	Decal, Oil Clutch
38	9051	Bolt, 5/16-18 x 3"	94	6621	Decal, Tire Pressure
39	2388	Nut, 3/8-24 **	95	3296	Decal, Steering Wheel Center
40	9092	Nut, 3/8-24 Jam, Right Hand Thread	96	1119	Spacer, 5/8 ID x .125" **
ASM	6982	Tie Rod Assembly (inc. 40-44)	97	3123-2	Extension, Steering Column
41	1414	Tie Rod End, Right Hand Thread	98	1628	Throttle Cable Retainer
42	1415	Tie Rod End, Left Hand Thread	NI	3025	Vehicle Operator's Manual
43	9024	Nut, 3/8-24 Jam, Left Hand Thread	NI	2600	Engine Owner's Manual (713)
44	6981	Tie Rod	NI	2601	Engine Owner's Manual (715-100)
45	1937	Spacer, 5/8 ID x .25" Thick	NI	2684E	Engine Owner's Manual (715-101)
46	1264	Bolt, 1/2-13 x 3.50"	NI	6985	Seat Slide Kit
47	1012	Nut, 1/2-13 Toplock			
48	8021	Spindle, Right Side			
NI	8020	Spindle, Left Side			
49	9085	Nut, 3/8-16 Toplock			

* = 713 ONLY

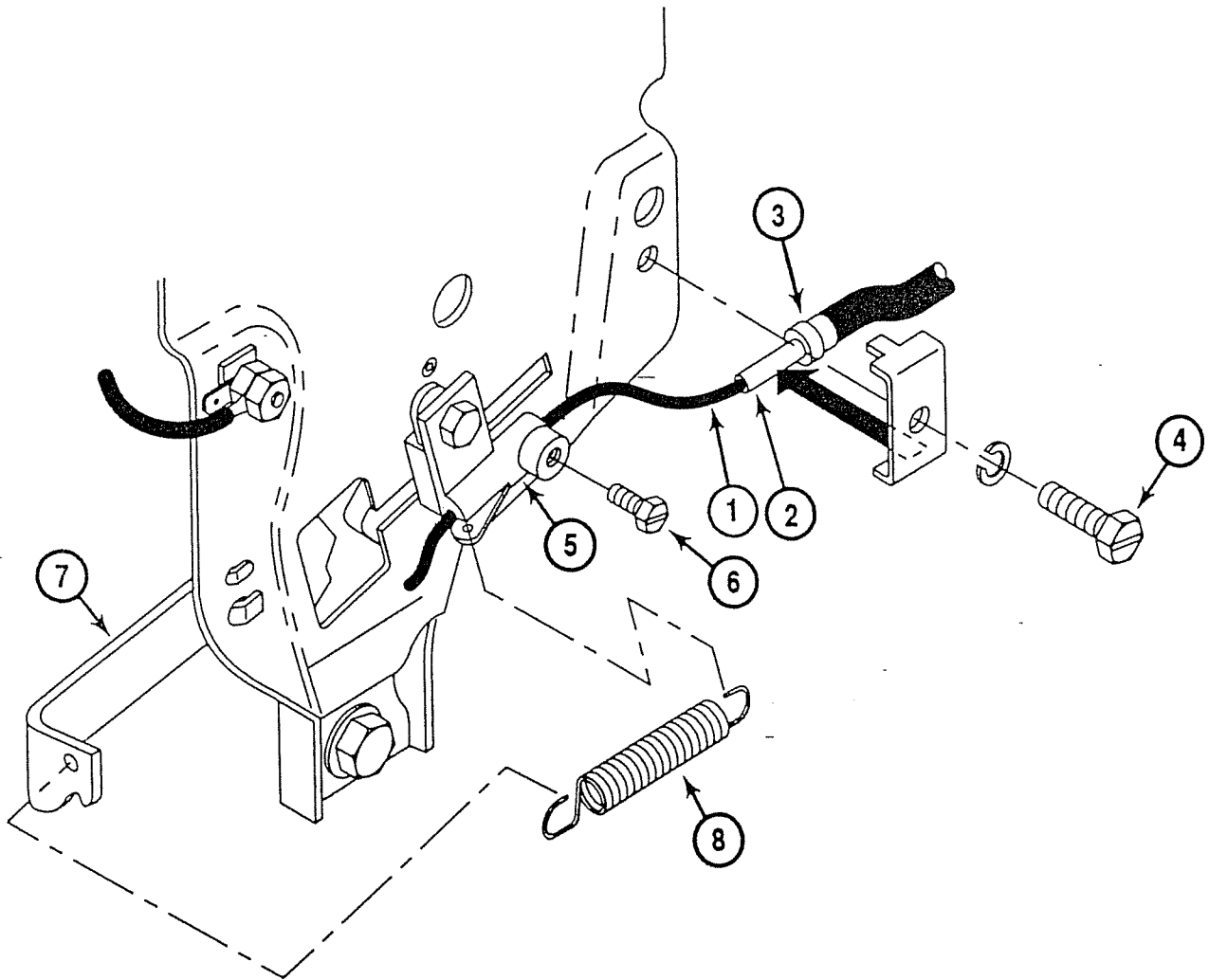
** = 715 ONLY

ASM = Assembly

NI = Not Illustrated



THROTTLE CABLE INSTALLATION



(Models 713-102 and 715-100 Only)

ASSEMBLY: Pass the Throttle Cable (Item 1) through the 1628 Cable Retainer (Item 2) and butt the Throttle Cable Housing End (Item 3) against the Inside Shoulder of the 1628 Cable Retainer (Item 2). The 1628 Cable Retainer (Item 2) is to be securely fastened to the engine with the Clamping Screw (Item 4). Pass the Wire End of the Throttle Cable Housing (Item 1) through the hole in the 5928 Cable Stop (Item 5). Before tightening 5929 Cable Stop Screw (Item 6):

1. Ensure 5926 Spring Anchor (Item 7), 5927 Spring (Item 8) and Throttle Cable are installed as illustrated above.
2. Ensure throttle pedal is in rearward (idle) position.
3. Ensure that there is no slack in the Throttle Cable Wire End (Item 1) with no tension applied to the spring (Item 8).
4. Ensure Throttle Cable Housing End (Item 3) is inside and against the 1628 Cable Retainer (Item 2).