

Operator's Manual  
SUPPLEMENT  
Model No. 724 – 4.0HP Stock Kar  
725 – 5.0HP Stock Kar

**⚠ WARNING:**

Read Engine  
Owner's Manual,  
Vehicle Operator's  
Manual, and  
Supplement  
Carefully Before  
Operating Vehicle.

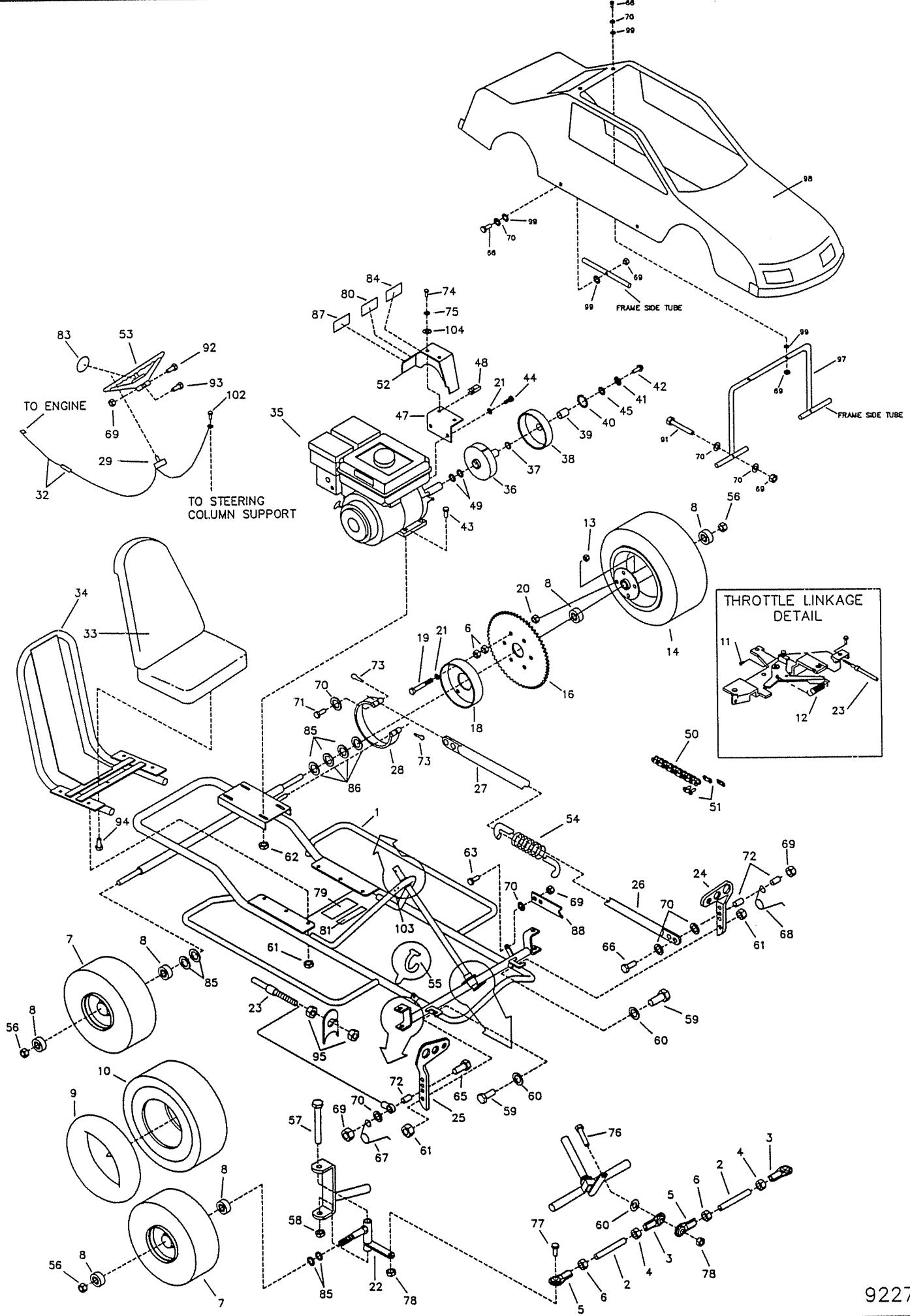
Parts List



4404 Engle Ridge Drive, Fort Wayne, IN 46804  
ph (219) 432-1596      fx (219) 432-7870

**THIS VEHICLE IS FOR  
OFF-ROAD USE ONLY**

BEFORE OPERATING THIS VEHICLE, THE OWNER AND/OR OPERATOR MUST UNDERSTAND THE VEHICLE WAS NOT DESIGNED OR MANUFACTURED TO MEET SPECIFICATIONS FOR USE ON STREETS, HIGHWAYS, OR THOROUGHFARES AND HAVE READ AND HAVE AN UNDERSTANDING OF ALL THE INSTRUCTIONS FOR SAFE ASSEMBLY AND OPERATION AS WELL AS THE INSTRUCTIONS GOVERNING THE ENGINE AND OTHER PORTIONS OF THE VEHICLE.



## PARTS LIST FOR MODELS 724 & 725

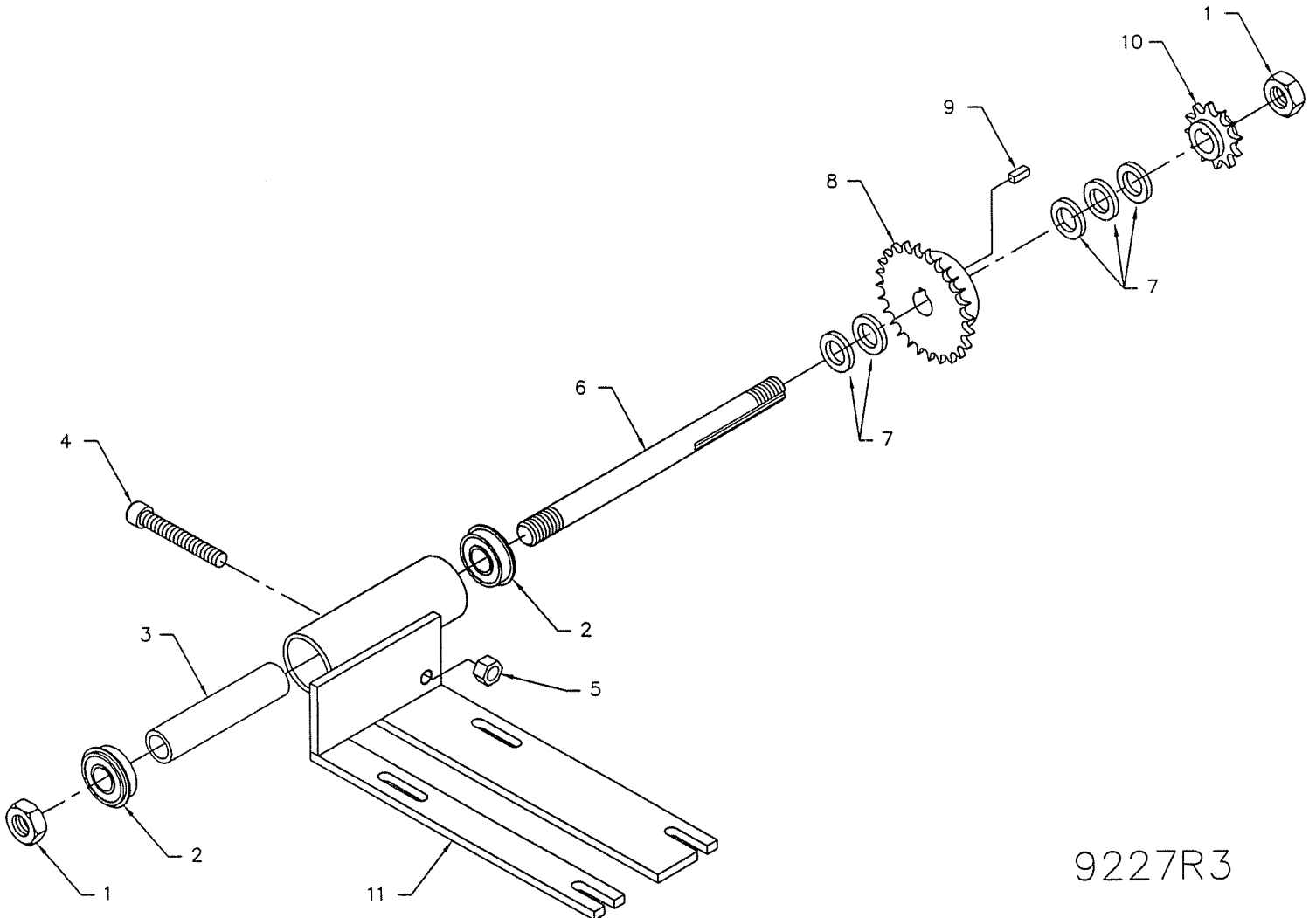
REF NO.	PART NO.	DESCRIPTION	REF NO.	PART NO.	DESCRIPTION
1	5280-2	Frame	51	1269	Master Link, #35 Chain
<b>ASM</b>	4355	Tie Rod Asm. (incl. 2 - 6)	52	9734	Cover Speed Reducer (723)
2	4352	Tie Rod		3362	Cover Trimmed (725)
3	1415	Rod End, LH			
4	9024	Nut, 3/8-24 LH Jam	53	6038	Steering Wheel
5	1414	Rod End, RH	54	9709	Spring, Compression
6	9092	NUT 1/2-20 HEX Z	55	1019	Ty-Wrap
<b>ASM</b>	10374	WH ASM 5IN STL WH 4.10 X 3.50 SLK	56	1046	Nut, 5/8-11 Toplock
<b>ASM</b>	10991	WH ASM 5IN STL DR WH BA 35X60T SLK	57	1264	Bolt, 1/2-13 x 3-1/2"
7	10374	WH ASM 5IN STL WH 4.10 X 3.50 SLK	58	1012	Nut, 1/2-13 Toplock
8	5090	Bearing, 5/8 ID w/ Snap Ring	59	9110	Bolt, 5/16-18 x 1-3/4" Shldr.
9	1753	Tube, 4.10 - 3.50 x 5"	60	9091	Washer, 3/8 Flat
10	6035	Tire, 4.10 - 3.50 x 5" Slick	61	1189	Nut, 5/16-18 Toplock
11	12347	Swivel Screw For Robin	62	1263	Nut, 5/16-18, Whiz Flange
12	12348	Return Spring	63	1846	Bolt, 1/4-20 x 3/4"
13	9085	Nut 3/8-16 TL Hex Z	64	9127	Bolt, 5/16-18 x 2-1/4"
14	10375	WH ASM 5IN STL DR WH 4.10 X 3.50 SLK	65	1847	Bolt, 1/4-20 x 1"
15	----	-----	66	1849	Bolt, 1/4-20 x 1-1/2"
16	8007	Sprocket, 60 Teeth	67	9502	Spring, Left Wound
17	----	-----	68	9503	Spring, Right Wound
18	1246-16	Brake Drum, 4"	69	9057	Nut, 1/4-20 Toplock
19	9158	Bolt 3/8-16 X 2.250 HHCS G5 Z	70	1854	Washer, #14 Flat
20	9169	Nut 1/2-20 Hex Jam	71	9118	Pin, 1/4 x 1-1/4 Clevis
21	9091	Washer Flat 3/8 Sae N	72	1389	Bushing, 1/4 ID x 5/16"
<b>NI</b>	8020-2Z	Spindle, LH	73	9116	Cotterpin, 3/32 x 3/4"
22	8021-2Z	Spindle, RH	74	6046	Bolt, 10-24 x 1/2"
23	8252	Cable, Throttle 61" (incl. 95)	75	6039	Washer, #10 Lock
24	6293-16	Pedal, Brake	76	9145	Bolt, 3/8-16 x 1-3/4"
25	6309-16	Pedal, Throttle	77	9146	Bolt, 3/8-16 x 1-1/2"
26	9945-2	Brake Rod, Front	78	9085	Nut, 3/8-16 Toplock
27	9946-2	Brake Rod, Rear	79	11329	Decal, Warning (Part of Set)
28	1036	Brake Band w/ Retainer	80	11330	Decal, Caution - Drive Cover (Part of Set)
<b>ASM</b>	9799	Stop Switch Asm (incl. 29 - 31)	81	11330	Decal, No Passengers (Part of Set)
29	1392	Stop Switch	82	----	-----
30	----	-----	83	3296	Decal, Steering Wheel
31	----	-----	84	11330	Decal, Chain Guard (Part of Set)
32	12273	Wire Harness	85	1119	Spacer, 5/8 ID x 1/8" Thick (723)
33	1976	Seat Pad	86	1119	Spacer, 5/8 ID x 1/8" Thick (725)
34	4399-2	Seat Frame	87	11330	Decal, Tire Pressure (Part of Set)
35	12246	Engine 4HP OHC @ 3200 RPM (723)	88	1982-2	Pedal Latch
	12247	Engine 5HP OHC (725)	89	----	-----
<b>ASM</b>	4335	Clutch Asm (incl. 36 - 40)	90	----	-----
36	4496	Clutch Rotor	91	9103	Bolt, 1/4-20 x 2"
37	3146	Washer, Fiber	92	9080	Bolt, 1/4-20 x 2-3/4"
38	4491	Drum w/ Sprocket (incl. 39)	93	9160	Bolt, 1/4-20 x 7/8"
39	3143	Bushing	94	1876	Bolt, 1/4-20 x 5/8 Whiz Flange
40	----	-----	95	9058	Nut, 5/16-24 Jam
41	1130	Washer 3/8 SL Z (723)	96	----	-----
	1124	Washer 5/16 SL Z (725)	97	4943-2	Body Support Tube, Stock Car
42	9073	Bolt 3/8-24 X .750 HHCS G5 BLK (723)	98	4931	Stock Car Body (Specify Color)
	1491	Bolt 5/16-24 X .750 HHCS G5 (725)	99	3463	Washer, 1/4 ID Rubber
43	9186	Bolt, 5/16-18 x 1-1/2" (725)	100	----	-----
	6573	Bolt, 5/16-18 X 1.750 HHCS G5 (723)	101	----	-----
44	9101	Bolt, 5/16-24 x 1/2"	102	9796	Bolt, 12-24 x 1/2" Self Tapping
<b>NI</b>	11330	Decal, Oil Warning (Part of Set)	103	1463	Bushing, Insulating
45	8186	Washer .391ID X 1.25OOD X .12 (723)	104	9104	Washer, #10 Flat
	1398	Washer 21/64 ID X 1 1/4 X 1/8 (725)	<b>NI</b>	11330	Decal, Warning: Hot Surfaces (Part of Set)
46	----	-----	<b>NI</b>	11330	Decal, Warning: Engine Exhaust (" ")
47	3363-2	Bracket, Chain Guard Mtg.	<b>NI</b>	6985	Seat Slide Pair
48	5135	Nut, Tinnerman	<b>NI</b>	11863	Operator's Manual
49	1194	Washer 3/4 Sae Flat (725)	<b>NI</b>	9256R1	Assembly Instructions
	PX2340	Bushing NO 4A Mach .75ID X.125 (723)			
<b>NI</b>	9030	Washer 5/16 IL Z			
50	9788	Chain 35 X 58P W, Masterlink (723)			
	6073	Chain 35 X 72P INC ML (723)			
	6073	Chain 35 X 72P INC ML (725)			

**ASM** = Assembly **NI** = Not Illustrated

# 724 MODEL ONLY

## SPEED REDUCER

REF NO	PART NO	DESCRIPTION
1	1136	NUT 5/8-18 CL HEX JAM Z
2	5090	BEARING 5/8 ID 1-3/8 OD SNAP RING
3	6568	SPANNER 5/8 ID X 3-7/8 LG 11GA
4	2385	BOLT 3/8-16 X 4.000 FULL THRD HHCS G2 Z
5	1128	NUT 3/8-16 HEX Z
6	6563	JACKSHAFT 5/8 X 8.500
7	1119	SPACER .625ID 1.062OD .125THK Z
8	6570	SPROCKET 35P 26T .625IN ID
9	1031	KEY 3/16SQ X .500L
10	3504	SPROCKET DR 35P 12T .625IN ID
11	6558-2	SPEED REDUCER CHASSIS GLBLK



9227R3