

Operator's Manual
SUPPLEMENT
Model No. 906C-XX

⚠ WARNING:

Read Engine
Owner's Manual,
Vehicle Operator's
Manual, and
Supplement
Carefully Before
Operating Vehicle.

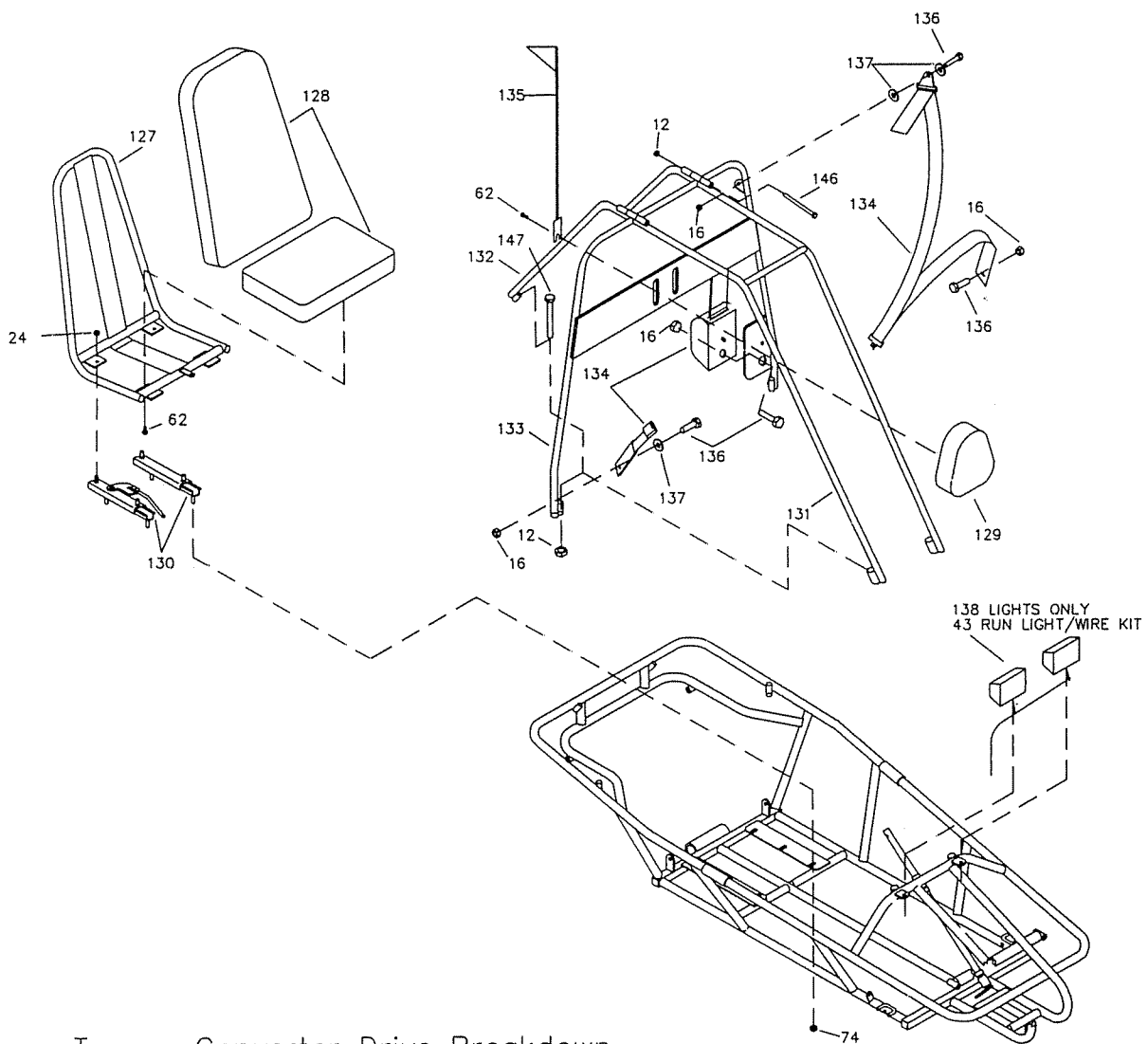
Parts List



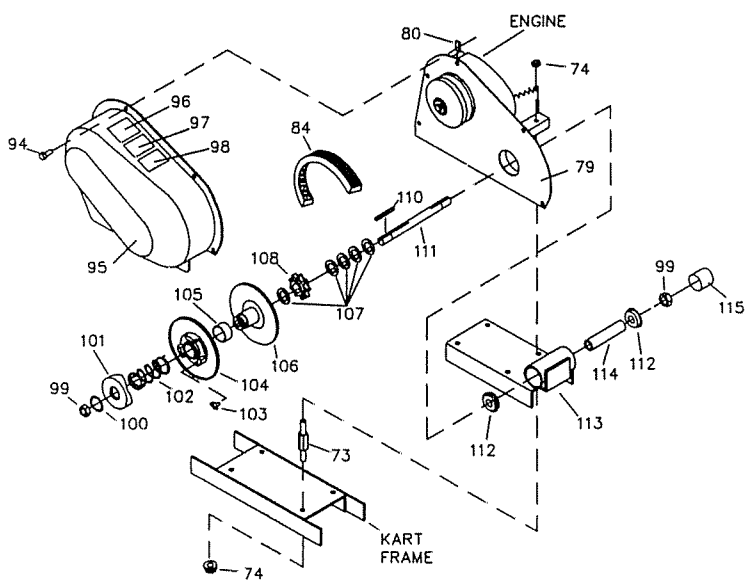
4404 Engle Ridge Drive, Fort Wayne, IN 46804
ph (219) 432-1596 fx (219) 432-7870

**THIS VEHICLE IS FOR
OFF-ROAD USE ONLY**

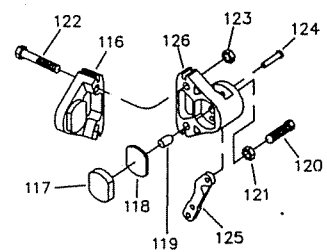
BEFORE OPERATING THIS VEHICLE, THE OWNER AND/OR OPERATOR MUST UNDERSTAND THE VEHICLE WAS NOT DESIGNED OR MANUFACTURED TO MEET SPECIFICATIONS FOR USE ON STREETS, HIGHWAYS, OR THOROUGHFARES AND HAVE READ AND HAVE AN UNDERSTANDING OF ALL THE INSTRUCTIONS FOR SAFE ASSEMBLY AND OPERATION AS WELL AS THE INSTRUCTIONS GOVERNING THE ENGINE AND OTHER PORTIONS OF THE VEHICLE.



Torque Converter Drive Breakdown

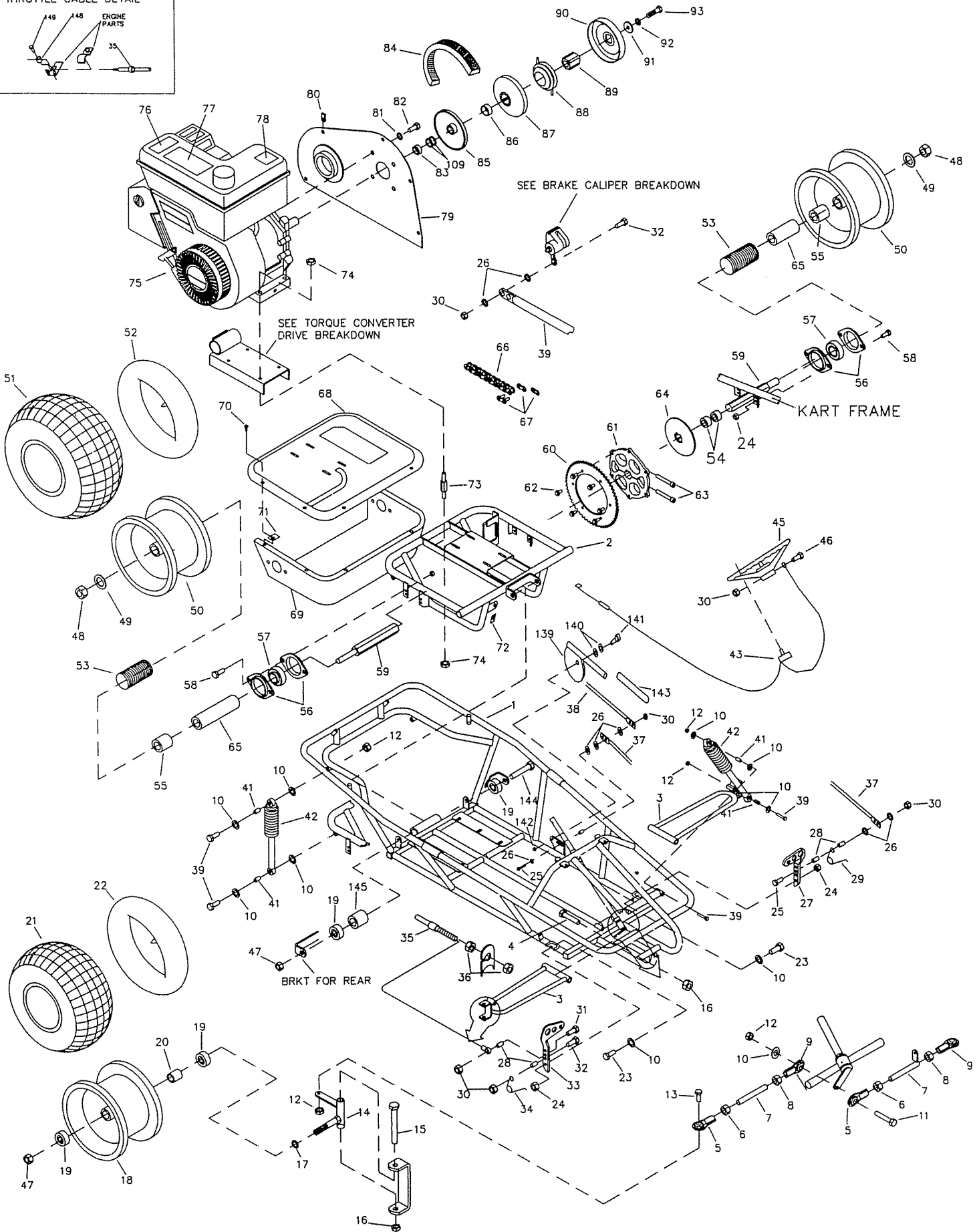
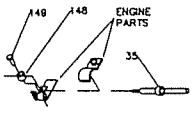


Brake Caliper Breakdown



Orientation of lever and hardware may vary.

THROTTLE CABLE DETAIL



PARTS LIST
MODEL 906C-XX

REF NO	PART NO	DESCRIPTION	REF NO	PART NO	DESCRIPTION
1	11740-5	FRAME RED	54	2265-16	SPACER 1 000ID 12G 750L ZINC
	11740-20	FRAME YELLOW	55	5222-16	SPACER 1 01DX1 250DX1.250L ZINC
2	11750-2	DRIVE CHASSIS	56	6617	BRG FLNG-HEAVY DICHROMATE
3	11746-2Z	SWING ARM	57	3941H	BEARING HEX"
4	10834	BOLT 1/2-13X7 HHCS G5	58	9176	BOLT 5/16-18 X 1 000 HHCS G5 Z
ASM	5431	TIE ROD ASM (INCL 5-9)	59	11797H-16	AXLE HEX WDMT DICHROMATE
5	1414	ROD END, RH THREAD	ASM	9570H	SPROCKET ASM (INCL 60-63)
6	9092	NUT 3/8-24 JAM RH	60	6282	SPROCKET LA 420P 54T
7	5430	TIE ROD 13 25"	61	6280H	SPROCKET HUB HEX
8	9024	NUT 3/8-24 JAM LH	62	5839	BOLT 1/4-20 X 750 HH WF Z
9	1415	ROD END, LH THREAD	63	6701	BOLT 5/16-18 X 1 250 SHCS
10	9091	WASHER FLAT 3/8 SAE N	64	9511H	BRAKE DISC 6 HEX
11	9145	BOLT 3/8-16 X 1.750 HHCS G5	65	6783-16	SPACER 1 01D 12G 4 125
12	9085	NUT 3/8-16 TL HEX Z	66	9514	CHAIN 420 X 62P (INCL 67)
13	9146	BOLT 3/8-16 X 1 500 HHCS G5	67	2037	MASTERLINK #420
14	11742-2Z	SPINDLE RH	68	11830	REAR COVER TOP
NI	11741-2Z	SPINDLE LH	69	11831	REAR COVER BOTTOM
15	1264	BOLT 1/2-13 X 3.750 HHCS G2	70	1876	BOLT 1/4-20 X 625 HH WF Z
16	1012	NUT 1/2-13 TL HEX Z	71	11824	NUT TINNERMAN 2372-04
17	5157-16	SPACER 5/8 ID X 13GA X .750	72	2449	NUT TINNERMAN C7343-1420-4
18	9309FP	WHEEL ASM 6" (INCL 19-21)	73	1356	STUD ASM
19	5090	BEARING 5/8 ID W/SNAP RING	74	1263	NUT 5/16-18 HEX WF Z
20	5950	SPANNER 5/8 ID X 2-1/8	75	11770	ENGINE 6HP W/ LIGHTING COIL
21	4915	TIRE 145/70 X 6 KNOBBY	76	11330	DECAL WARNING HOT SURFACES
22	3802	TUBE 6" (REPAIR PART ONLY)	77	11330	DECAL ENGINE EXHAUST IS BAD
23	1447	BOLT 5/16-18X11/16 SHOULDER	78	11330	DECAL SHIPPED W/O OIL
24	1189	NUT 5/16-18 HEX TL Z	79	11775	COVER PLATE TC
25	1849	BOLT 1/4-20 X 1.500 HHCS G5 Z	80	8227	NUT 1/4-20 CLIP
26	1854	WASHER #14 FLAT MS Z	81	9060	WASHER 5/16 TYPE A PLAIN SAE N
27	1436	PEDAL BRAKE	82	9101	BOLT 5/16-24 X .500 HHCS G5
28	1389	BUSHING 25ID X .031G X .313	83	1938	SPACER .75ID 11GA 375 ZI
29	9503	SPRING PEDAL RIGHT WOUND	84	5959	BELT 30S 203589 27 4 OC
30	9057	NUT 1/4-20 TL Z	ASM	5957	DRIVER PULLEY 30S (INCL 85-90)
31	9160	BOLT 1/4-20 X .875 HHCS NL G5 Z	85	**	STATIONARY SHEAVE
32	1847	BOLT 1/4-20 X 1.000 HHCS G5 Z	86	200349	BUSHING
33	1437	PEDAL THROTTLE	87	**	MOVEABLE SHEAVE
34	9502	SPRING PEDAL LEFT WOUND	88	**	SHOE ASSEMBLY
35	8251	THROTTLE CABLE 74.5 IN (INCL 36)	89	**	HUB
36	9058	NUT 5/16-24 JAM	90	**	DRUM
37	8715-2	BRAKE ROD FRONT	91	1398	WASHER 21/64 ID X 1 1/4 X 1/8
38	8215-2	BRAKE ROD REAR	92	1124	WASHER 5/16 SL Z
39	9190	BOLT 3/8-16 X 3.25 HHCS G5 Z	93	8204	BOLT 5/16-24 X 2.250 HHCS G5 YZ
40	1449	BOLT 3/8-16 X 2.000 HHCS G5 Z	94	9006	BOLT 1/4-20 X .500 HH WF
41	6634	SHOCK BUSHING	95	11776	TAV COVER
42	4561	SHOCK ABSORBER	96	11330	DECAL CAUTION DRIVE COVER
43	11800	RUN LIGHT/WIRE KIT ASSEMBLY	97	11330	DECAL WARNING CHNGRD MUST
45	6038	STEERING WHEEL	98	11330	DECAL TIRE PRESS 3.6 7 0
46	9080	BOLT 1/4-20 X 2.750 HHCS G2 Z	99	1136	NUT 5/8-18 CL HEX JAM Z
47	1046	NUT 5/8-11 TL HEX Z	ASM	5958	DRIVEN PULLEY 30S (INCL 100-106)
48	9162	NUT 3/4-10 HEX TL Z	100	2477	RETAINING RING
49	1194	WASHER 3/4 SAE FLAT	101	**	CAM
50	10381	WHEEL ASM 8" KNOBBY	102	6805	SPRING
51	3548	TIRE 18/9.50-8" KNOBBY	103	6804	BUTTON NYLON
52	1430	TUBE 8" (REPAIR PART ONLY)	104	**	MOVEABLE SHEAVE
53	G0631	LOOM 6 312 L 1.625 ID	105	**	BUSHING

PARTS LIST
MODEL 906C-XX

REF NO	PART NO	DESCRIPTION
106	**	STATIONARY SHEAVE
107	1119	SPACER 625ID 1.062OD .125THK Z
108	8720	SPROCKET 420P 9T INTEGRAL KEY
109	1168	WASHER 3/4 ID STEEL
110	3403	KEY 3/16SQ X 2.000
111	2777	JACKSHAFT 5/8 X 10.812
112	5090	BEARING W/ SNAP RING
113	11806-2	CHASSIS W/LDMNT BLK
114	10342	SPANNER 5/8ID X 14G X 5.125
115	11808	CAP VINYL 1.5 ID 1.5LG .06 WALL
ASM	9597	BRAKE CALIPER (INCL 116-126)
ASM	9810	BRAKE PAD SVC KIT (INCL 116-118)
116	**	ANVIL W/LINING
117	**	BRAKE LINING
118	3928	BACKING PLATE
119	3930	ACTUATOR PIN
120	3931	ADJUSTER PIN
121	3932	NUT JAM
122	9158	BOLT 3/8-16 X 2.250 HHCS
123	9085	NUT 3/8-16 TL HEX Z
ASM	6534	MB-1 SERVICE KIT (INCL 124-126)
124	**	GROOVE PIN
125	**	LEVER
126	**	BRAKE HOUSING
127	10402-2	SEAT FRAME SGL GBLK
128	11636	SEAT BACK/BOTTOM
129	6320	HEADREST
130	6734	SEAT SLIDE PAIR
131	11791-2	FRONT BAR GBLK
132	11792-2	REAR BAR GBLK
133	11793-2	CENTER BAR GBLK
134	8778	HARNES LAP SHOULDER REST
135	8445	FLAG SAFETY W/ BRKT 3FT
136	9188	BOLT 1/2-13 X 1.50 HHCS G5 Z
137	9022	WASHER 1/2 STD FLAT Z)

REF NO	PART NO	DESCRIPTION
138	10184	RUNNING LIGHTS
139	6773-2	PARKING BRAKE HANDLE
140	6441	WASHER, 3/8 ID SPRING
141	9172	BOLT, 3/8 X 1/4 SHOULDER
142	6440	NUT, 5/16-18 NUT
143	6442	BRAKE HANDLE COVER
144	9157	BOLT 5/8-11 X 6.5 HHCS G5Z
145	6568	SPANNER 5/8 ID X 3-7/8 LG 11GA
146	6452	BOLT, 3/8-16 X 5"
147	2386	BOLT 3/8-16 X 3.500 HHCS G5 Z
148	2748	CABLE STOP NUT
149	2666	SWIVEL SCREW
NI	4350AV	OPERATORS MANUAL
NI	11329	DECAL WARNING WEAR A HELMET
NI	11329	DECAL WARNING LONG HAIR
NI	11330	DECAL NO CHILD UNDER 12 YRS
NI	8746	SAFETY VIDEO
NI	11330	DECAL NO RIDERS ALLOWED

MODEL SPECIFIC GRAPHICS

<u>MODELS 906C-11, 906C-12, 906C-16 & 906C-19</u>		
NI	11839	906C-11 & 906C-12 - DECALS: STRG WH, PAN; TAV CVR
NI	11208	906C-16 - DECALS: STRG WH; PAN; TAV CVR
NI	11841	906C-19 - DECALS, STRG WH; PAN; TAV CVR COVERS PN 10878)
NI	11091Y	FOAM YELLOW - 906C-11, 906C-12, 906C-16 & 906C-19
NI	11091B	FOAM BLACK - 906C-12

MODEL 906C-27 ONLY

NI	11818	DECALS: STRG WH; PAN; TAV CVR
NI	11813	FOAM PACK

ASM - ASSEMBLY
NI - NOT ILLUSTRATED
** - NOT SOLD SEPERATELY