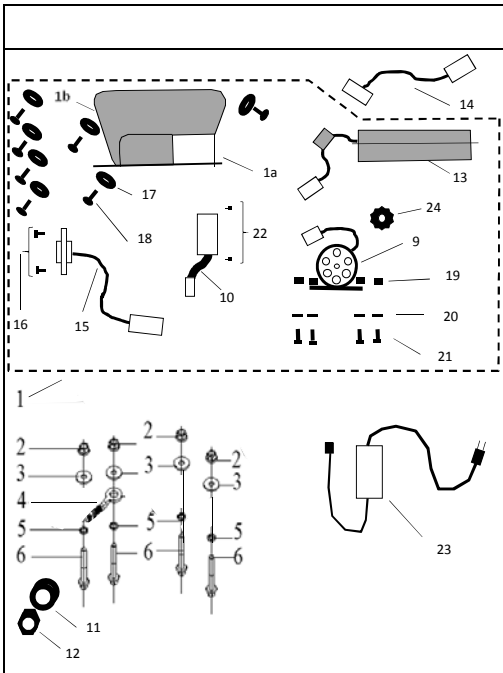


No.	NEW MM#	DESCRIPTION		QTY
1	90-10002-00	NUT LOCKING M12 X 1.25	Nut	1
2	90-10005-00	WASHER, FLAT M12	Washer, Flat	1
3	90-10005-00	WASHER, FLAT M12	Washer, Flat	1
4	90-10023-00	BOLT, SOCKET HEAD BLACK M6 X 1.0 X 12	Bolt, SHCS M6X12	1
5	50-10001-00	DISC, BRAKE	Disc brake	1
6	40-10001-00	SPROCKET, DRIVEN #35 75T	Rear sporckt	1
7	90-10024-00	SPACER, 12.5ID X 18OD X 12.5L	Spacer.left	1
8	90-10025-00	BOLT, AXLE FLANGED M12 X 1.25 X 255	Rear Axle	1
9	90-10007-00	BOLT, FLANGED M8 X 1.25 X 55	Bolt	1
10	90-10026-00	BOLT, EYELET ZINC W/ NUT M6 X 1.0	Bolt, Chain Adjuster	1
11	90-10027-00	SPACER, 8.5ID X 14OD X 9L	Spacer, Chain Adjuster	1
12	40-10002-00	ROLLER, CHAIN TENSIONER	Chain Adjuster wheel	1
13	90-10027-00	SPACER, 8.5ID X 14OD X 9L	Spacer, Chain Adjuster	1
14	90-10006-00	NUT, LOCKING FLANGED M8 X 1.25	Nut M8	1
15	90-10029-00	WASHER, FLAT M8	Washer	1
16	90-10030-00	BEARING, BALL 608RS	Bearing	1
	90-10031-00	NUT, LOCKING ZINC M6 X 1.0 (Included in #10)		

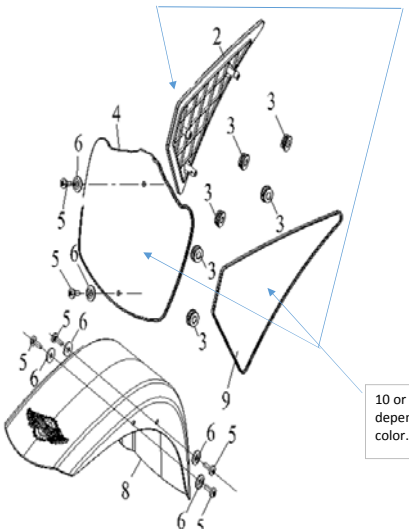




No.	NEW MM#	DESCRIPTION		QTY
1	70-10021-00	Housing Assembly w/battery box assy, motor, controller		
1a	10-10019-00	Housing, w/covers hardware battery box, foam inserts		1
1b	10-10059-00	Plate, Battery Box Front E1000		1
2	90-10044-00	NUT, FLANGED LOCKING ZINC M8 X 1.25	Nut	1
3	90-10080-00	WASHER, FLAT ZINC M8	Washer ,flat	1
4	90-10028-00	BOLT, EYELET W/NUT ZINC M8 X 1.25 AND SPACER	Bolt ,engine adjust	1
5		WASHER, SPLIT M8 (NOT USED)	Washer	1
6	90-10096-00	BOLT, FLANGED M8 X 1.25 X 25	Bolt M8X40	1
7	90-10035-00	BOLT, FLANGED ZINC M6 X 1.0 X 16	Bolt M6X16	1
8	90-10036-00	WASHER, FENDER ZINC M6	Washer	1
9	70-10001-00	Motor, 36 Volt 1000 Watt Plate Mount		1
10	70-10003-00	Controller, 36 Volt 1000 Watt		1
11	90-10150-00	Spacer, Black 8.35 ID x 14.00 OD x 9.25 L		1
12	90-10144-00	NUT, ZINC M8 X 1.25 FOR ENGINE EYELET ADJ. BOLT		1
13		Box, Battery Assembly w/ 3 12v14ah batteries, wiring, case		
	70-10002-00	Battery, 12V 14ah		1
		Wiring for Battery Assembly		1
14	70-10019-00	Wire Adapter for Off Bike Charging		1
15	70-10016-00	Port, Charging 3 Prong		1
		Screw, Charging port (Included in #1)		1
	90-10040-00	WASHER, SPECIAL PLASTIC M6		1
	90-10039-00	BOLT, PHILLIPS #3 M6 X 1.0 X 16		1
		Nut (Included in #1)		1
		Washer (Included in #1)		1
		Bolt (Included in #1)		1
		Screw Controller (Included in #1)		1
	70-10022-00	Charger, Battery 36V 1.5A		1
	40-10015-00	Sprocket, Drive 10T #35 Chain for electric motor		1
		Assembly Fee With all Hardware & Wires		1



No.	NEW MM#	DESCRIPTION		QTY
1	80-10002-00	SEAT, RED	Seat assy	1
	80-10003-00	SEAT, TAN		
	80-10004-00	SEAT, BLACK		
2	80-10005-00	COVER, RIGHT GUSSET	Right plate	1
3	90-10038-00	GROMMET, RUBBER	Bolt, rubber	1
4	80-10006-00	PLATE, FRONT NUMBER	Number plate	1
5	90-10039-00	BOLT, PHILLIPS #3 M6 X 1.0 X 16	Bolt ,Phillips Head M6X16	1
6	90-10040-00	WASHER, SPECIAL PLASTIC M6	Washer,, Nylon	1
7		N/A	Washer	1
8	80-10007-00	FENDER, FRONT BLACK	Front fender	1
9	80-10011-00	COVER, LEFT GUSSET	LEFT plate	1
10	80-10140-00	Decal Set, E-1000BB Blu/Blk (Nnbr Plate, Gusst Cvrs, Frk Lgs	BLUE	
11	80-10136-00	Decal set, E-1000 Black/Red Number Plate, Gusset Covers	RED (Home Depot)	



10 or 11 depending on color.



