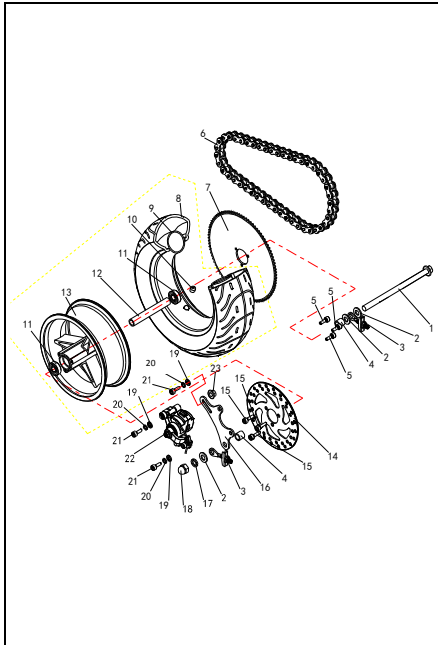
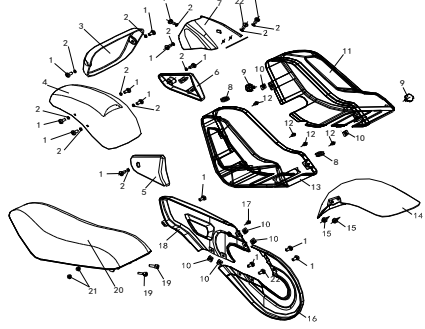


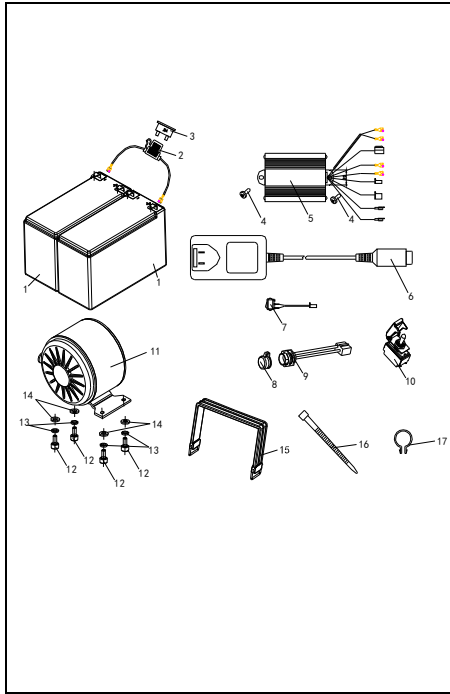
No.	Old MM #	MM P/N	
1	10325	90-10112-00	Bearing, Ball Sealed (6000Z)
2	10326	90-10110-00	Spacer, Zinc 15 OD x 10.5 ID x 100 L
3	10327	10-10011-00	Frame RED
	30004	10-10025-00	Frame BLACK
4	10328	90-10119-00	Bolt, Flanged Zinc Special M10 X M6 X 38.5
5	10329	10-10012-00	Footrest RED
	30010	10-10026-00	Footrest BLACK
6	10330	90-10085-00	Washer, Flat Zinc M6
7	10331	90-10064-00	Washer, Split Zinc M6
8	10332	90-10184-00	Nut, Acorn Zinc M6
9	10333	10-10023-00	Bracket, Front Battery Box RED
	30007	10-10027-00	Bracket, Front Battery Box BLACK
10	10334	90-10122-00	Screw Button Head Zinc (MSX12)
11	10335	10-10024-00	Bracket, Rear Battery Box RED
	30008	10-10028-00	Bracket, Rear, Battery Box BLACK
12	10336		Rivet (Φ3.2)
		90-10012-00	Rivet 5/32 VIN/PIN Mounting
13		85-10004-00	PIN Plate USA Assy
		85-10005-00	VIN Plate USA Assy (Canada)
14	10338	90-10124-00	nut (M10)
15	10339	10-10013-00	Stand, Side Zinc
16	10340	90-10125-00	Bolt, Flanged Zinc M10X16



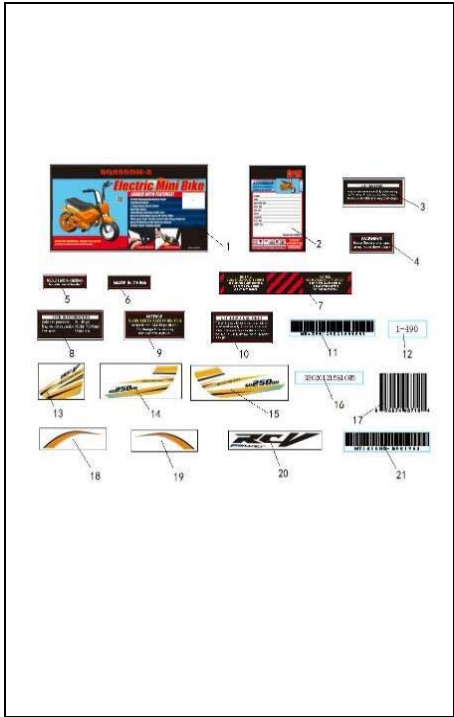
No.	Old MM #	MM P/N	
1	10341	90-10126-00	Bolt, Flanged Zinc M10 x 170 x 24
2	10302	90-10108-00	Washer, Flat Zinc M10
3	10343	90-10127-00	Tensioner Assy, Chain Zinc, (Set of 2 Adj.)
4	10303	90-10109-00	Spacer, Zinc 15 OD x 10.5 ID x 13.15 L
5	10345	90-10128-00	Bolt, Socket Head Zinc M6 x 16
6	10346	40-10012-00	Chain, Continuous #25 124L
7	10347	40-10013-00	Sprocket, Zinc Rear #25 92T
8	10306	30-10010-00	Tire, Tube Type FR & RR (110/50-6.5)
9	10307	30-10011-00	Tube, Inner Tire
10	10305	30-10009-00	Cap, Valve Stem
11	10308	90-10112-00	Bearing, Ball Sealed 6000Z
12	10351	90-10110-00	Spacer, Zinc 15 OD x 10.5 ID x 100 L
13	10352	30-10013-00	Wheel, Rear Aluminum 6.5"
14	10353	50-10005-00	Disc, Brake
15	10354	90-10129-00	Bolt, Socket Head Zinc M5 X 16
16	10355	10-10022-00	Bracket, Brake Caliper RED
	30009	10-10021-00	Bracket, Brake Caliper BLACK
17	10301	90-10107-00	Washer, Split Zinc M10
18	10300	90-10106-00	Nut, Acorn (M10)
19	10358	90-10064-00	Washer, Split Zinc M6
20	10359	90-10085-00	Washer, Flat Zinc M6
21	10360	90-10128-00	Bolt, Socket Head Zinc M6 x 16
22	10361	50-10006-00	Caliper, Brake LH RED
23	10362	90-10130-00	Nut, Flanged Locking Zinc M6
		30-10019-00	Wheel/Tire Assy Rear (incl. 8,9,10,11,12,13)
			Bot Set, FR & RR Axle, Steering w/apsrs,washrs,nuts



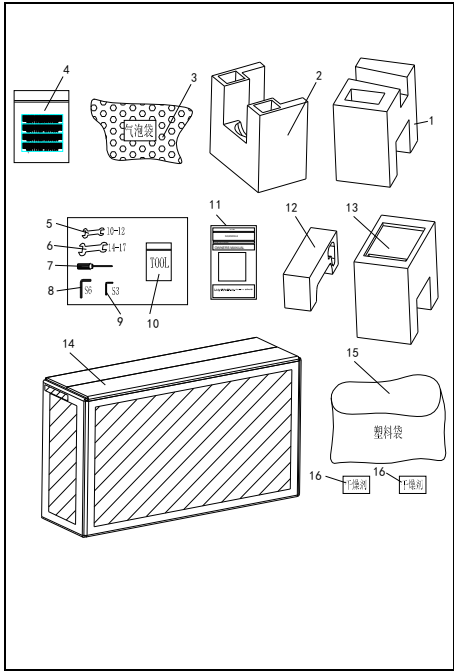
No.	Old MM #	MM P/N	
1	10363	90-10131-00	Screw, Button Head Zinc (M5X12)
2	10364	90-10186-00	O Ring
3	10365	80-10046-00	Plate, Front Number BLACK
	30017	80-10047-00	Plate, Front Number YELLOW
4	10366	80-10048-00	Fender, Front BLACK
		80-10048-01	Fender, Front BLACK UPDATED
	30011	80-10049-00	Fender, Front YELLOW
		80-10049-01	Fender, Front YELLOW UPDATED
5	10367	80-10050-00	Cap, Decorative Left BLACK
	30021	80-10103-00	Cap, Decorative Left WHITE
	30019	80-10051-00	Cap, Decorative Left YELLOW
6	10368	80-10052-00	Cap, Decorative Right BLACK
	30022	80-10104-00	Cap, Decorative Right WHITE
	30020	80-10053-00	Cap, Decorative Right YELLOW
7	10369	80-10054-00	Cover, Switch BLACK
		80-10054-01	Cover, Switch BLACK UPDATED
	30018	80-10055-00	Cover, Switch YELLOW
		80-10055-01	Cover, Switch YELLOW UPDATED
8	10370	90-10188-00	Grommet, Rubber U Shape Split
9	10371	90-10132-00	Screw, M5 w/Black Plastic Knob
10	10372	90-10133-00	Nut, "U" Clip-On M5
11	10373	80-10056-00	Cover, Battery Right BLACK
		80-10056-01	Cover, Battery Right BLACK UPDATED
	30016	80-10057-00	Cover, Battery Right YELLOW
		80-10057-01	Cover, Battery Right YELLOW UPDATED
12		90-10142-00	Screw, Self Tapping Zinc (3.0 x 10)
13	10375	80-10058-00	Cover, Battery Left BLACK
		80-10058-01	Cover, Battery Left BLACK UPDATED
	30015	80-10059-00	Cover, Battery Left YELLOW
		80-10059-01	Cover, Battery Left YELLOW UPDATED
14	10376	80-10060-00	Fender, Rear BLACK
		80-10060-01	Fender, Rear BLACK UPDATED
	30012	80-10061-00	Fender, Rear YELLOW
		80-10061-01	Fender, Rear YELLOW UPDATED
15	10377	90-10135-00	Screw, Plastic BLACK Snap in Phillips
16	10378	80-10062-00	Guard, Chain Rear BLACK
		80-10062-01	Guard, Chain Rear BLACK UPDATED
	30014	80-10063-00	Guard, Chain Rear YELLOW
		80-10063-01	Guard, Chain Rear YELLOW UPDATED
17	10379	90-10134-00	Screw, Self Tapping Zinc 4.2 X 12
18	10380	80-10064-00	Guard, Chain Front BLACK
		80-10064-01	Guard, Chain Front BLACK UPDATED
	30013	80-10065-00	Guard, Chain Front YELLOW
		80-10065-01	Guard, Chain Front YELLOW UPDATED
19	10381	90-10128-00	Bolt, Socket Head Zinc M6 x 16
20	10382	80-10066-00	Seat Assembly BLACK
21	10383	90-10185-00	Nut, Locking Zinc M6
22	10384	90-10187-00	Screw, Button Head Zinc (M5X16)
23	10385	90-10136-00	Washer, Flat Rubber 5 ID x 16 OD x 3.25



No.	Old MM #	MM P/N	
1	10386	70-10006-00	battery (12V7AH)
		70-10007-00	Battery Assy, See Photo on Right
2		70-10008-00	Holder, Fuse w/Wire
3		70-10009-00	Fuse, Blade Type (30A)
	10387	70-10010-00	Holder, Fuse Assy w/Fuse (#2 & 3)
4	10388	90-10122-00	Screw Button Head Zinc (M5X12)
5	10389	70-10011-00	Controller 24V
		70-10011-01	Controller 24V w/ 2 pin connector for Battery
6	10390	70-10012-00	Charger, Battery 24V 1.5A
7	10391	70-10013-00	Switch, Rocker On/Off (Speed Selector)
8	10392	70-10014-00	Cover, Rubber Charger Port
9	10393	70-10015-00	Port, Charger w/Wire & Connector
		70-10016-00	Port Assy, Charger w/Wire, Conn, & Cover
10	10394	70-10017-00	Switch, Toggle On/Off w/Toggle Cover
11	10395	70-10018-00	Motor, Electric 24V 250W Base Mount
12	10396	90-10189-00	Bolt, Socket Head Zinc M6X12
13	10397	90-10085-00	Washer, Flat Zinc M6
14	10398	90-10064-00	Washer, Split Zinc M6
15	10399	90-10190-00	Strap, Rubber Battery Holder
16		N/A	wire tie
17		N/A	buckle
		90-10020-00	Reflector, Red Rectangle
		90-10013-00	Reflector Red Round
		90-10015-00	Reflector Amber Round
		90-10003-00	Bracket Plastic 16mm For Round
		90-10004-00	Bracket, Plastic 22mm For Round
		90-10010-00	Bracket Plastic 16mm for Rectangle
		90-10011-00	Tape, No Slip Strip



No.	Old MM #	MM P/N	
1			end graphics
2			side graphics
3			label-information
4			label-chain
5			label- unattended
6			lable-made in china
7			hang tag 1
8			label-tire pression
9			label-speed switch
10			lable-warning
11			bar code
12			serial number
13			grahpics
14			grahics-bettery box
15			grahics-bettery box
16			commodity inspection number
17			UPC
18			grahics-bettery box
19			grahics-bettery box
20			graphics - chain guard
21			bar code -motor
	80-10107-00		Decal Set, Warning
	80-10101-00		Decal Set, MM-E250 RCH
	80-10105-00		Decal Set, MM-E250 Red
	80-10106-00		Decal Set, MM-E250 Pink
	85-10001-00		Decal, Canada Confirmatory
	85-10000-00		Decal, VIN PIN UPC
	80-10099-00		Decal, Canada Warning Front Fender



No.	Old MM #	MM P/N	
1			foam
2			foam
3			bubble bag -handelbar
4			plastic bag-label
5			open-end wrench (10-12)
6			open-end wrench (14-17)
7			screw driver
8			allen wrench (S6)
9			allen wrench (S3)
10	90-10191-00		Tool Kit MM-E250
11	96-10018-00		Manual, Owners RCH
	96-10019-00		Manual, Owners RCH French Canada
	96-10020-00		Manual, Owners PR Air USA
	96-10021-00		Manual, Owners PR French Canada
12			foam
13			foam
14	95-10046-00		Carton, Retail (Blank)
	95-10052-00		Carton, Drop Ship w/MM Logo
	95-10053-00		Decal, Carton Graphics Drop PR AIR for USA
	95-10054-00		Decal, Carton Graphics Drop PR AIR for CAN
	95-10047-00		Decal Carton Graphics Retail RCH
	85-10004-00		Plate, PIN Assy USA
	85-10005-00		Plate, VIN Assy USA for CANADA
	95-10055-00		Decal, Carton Graphics Drop RED MiChina
	95-10		Decal, Carton Graphics Retail PR AIR for CAN
15			plastic bag - car
16			desiccant